

# Order Routing Interface (ORI) for Equity

## Technical Specifications

Version 2.1.2



# IDX

Indonesia Stock Exchange

member of  **WORLD FEDERATION  
OF EXCHANGES**

Indonesia Stock Exchange Building  
Jl. Sudirman Kav 52-53  
Jakarta 12190  
INDONESIA

Phone: +62-21-5150515  
Fax: +62-21-5150430

## Update Summary

NO.	VERSION	DATE	CHANGE
1	1.91 (Beta Version)	18 <sup>th</sup> July 2008	Updated to X-stream engine interface
2	1.92	4 <sup>th</sup> December 2008	Updated some tag and its value
3	1.94	31 <sup>st</sup> March 2011	Updated Comments and Valid value for tag 376 (Trading ID) Updated valid value for tag 58 Negotiation Deal Request (Crossing) Updated some tag and its value Add new message specification Delete message that is not currently use
4	1.95	13 <sup>th</sup> September 2011	Add Mass Order Cancel message, Liquidity Provider Order message, and Liquidity Provider Order Cancel message Updated comment and valid value tag 38 (OrderQty) and 65 (SymbolSfx) for Order Cancel Request
5	2.0	7 <sup>th</sup> November 2011	Add comment for tag 6002 (CurrentPassword) in Logon Request message Add tag 6090 (LogonReply) and tag 6091 (LogonDesc) for Logon Message Add valid value margin for tag 54 (Side) in New Order – Single (Advertisement) Message Make length field for tag 55 ( Symbol) consistent for all messages Add tag 11 (BrokerRef) in value tag 6065 (RefErrorCode) for all MessageType U7 Change JONES time to JATS time for tag (17) ExecID for all messages Change comment for tag 37 (OrderID) in Negotiation Deal Reply BAD Or Neg. Deal Confirmation BAD Add Appendix C List field type

6	2.1.0	18 <sup>th</sup> October 2017	<ul style="list-style-type: none"> <li>a. Update description for tag 6090 = 2.</li> <li>b. Update valid value tag 54 for order reply ok and new order reply bad.</li> <li>c. Change data type tag 11 and tag 60</li> <li>d. Add board 00D (Pasar Regular Odd-Lot)</li> <li>e. Change valid value for tag 6090</li> <li>f. Add price stabilization value for tag 54 (Side) in New Order – Single (Advertisement) Message.</li> <li>g. Add tag 172 and 64 for <ul style="list-style-type: none"> <li>• Negotiation Deal Request</li> <li>• Negotiation Reply OK</li> <li>• Negotiation Deal Amend</li> <li>• Negotiation Deal Amend Reply OK</li> <li>• Negotiation Deal Confirmation Info</li> <li>• Negotiation Deal Amended Info</li> </ul> </li> <li>h. Add Price Stabilization and Margin value for tag 54 (side) in New Order Reply Ok, New Order Reply Bad, Order Amend Request, Order Amend Reply Ok, Order Cancel Request</li> </ul>
7	2.1.1	2 <sup>nd</sup> November 2020	<ul style="list-style-type: none"> <li>a. Change trading hours</li> <li>b. Added comment on tag 37 (OrderID) “The orderID will be reset at the start of each trading day”</li> </ul>
8	2.1.2	20 <sup>th</sup> April 2021	Changes of available Order Method (New Use)

## **Table of Content**

<b>Update Summary</b>	<b>2</b>
<b>Table of Content</b>	<b>4</b>
<b>Introduction</b>	<b>6</b>
<b>I. Information Exchange Protocol Concept</b>	<b>6</b>
<b>II. ORI Header</b>	<b>7</b>
<b>III. Administrative Messages</b>	<b>8</b>
1. LOGON	8
• Logon Request	8
• Logon Reply OK1	9
• Logon Reply OK2	9
• Logon Reply BAD	9
2. Logout	10
• Logout Request	10
• Logout Reply OK	10
3. Change Password	10
• Change Password Request	11
• Change Password Reply OK	11
• Change Password Reply BAD	11
<b>IV. Application Messages</b>	<b>12</b>
4. New Order - Single / Advertisement	12
• New Order Request	12
• New Order Reply OK	15
• New Order Reply BAD	16
• Matched Order Reply	17
5. Order Cancel/Replace Request (a.k.a. Order Modification Request)	19
• Order Amend Request	19
• Order Amend Reply OK	20
• Order Amend Reply BAD	22
6. Order Cancel Request	23
• Order Cancel Request	23
• Order Cancel Reply OK	24
• Order Cancel Reply BAD	25
7. Order Mass Cancel	26
• Order Mass Cancel Request	26
• Order Mass Cancel Reply	27
8. Liquidity Provider Order	28
• New Liquidity provider Order Request	28
• Liquidity provider Order Reply	29
9. Liquidity Provider Cancel Request	29
• Liquidity provider Cancel Request	29
• Liquidity provider Cancel Reply OK	30
• Liquidity provider Cancel Reply BAD	30
10. Negotiation Deal	32
• Negotiation Deal Workflow	32
• Negotiation Deal Request (Two Side)	33
• Negotiation Deal Request (Crossing)	34
• Negotiation Deal Confirmation Request	37
• Negotiation Deal Reply OK Or Neg. Deal Confirmation OK	38
• Negotiation Deal Reply BAD Or Neg. Deal Confirmation BAD	39
• MSG Reminder Negotiation Deal	40
• Negotiation Deal Confirmed Info	40
11. Negotiation Deal Amend	42
• Negotiation Deal Amend Request (Two Side)	42

•	Negotiation Deal Amend Reply OK	43
•	Negotiation Deal Amend Reply BAD	45
•	Negotiation Deal Amended Info	46
12.	Cancel Neg. Deal	48
•	Negotiation Deal Cancel Request	48
•	Negotiation Deal Cancel Reply OK	48
•	Negotiation Deal Cancel Reply BAD	49
•	Negotiation Deal Canceled Info	50
13.	Trading Info	51
14.	Possible Duplicate Fix Message	51
15.	Unknown JONEC Message	51
16.	JONEC Message Interpretation Error	51
17.	Broadcast Table Full	52
18.	JATS Interpretation Error Reply	52
19.	Failed to Send Heartbeat to JATS	53
<b>V.</b>	<b>Message Trailer</b>	<b>53</b>
<b>Appendix A</b>		<b>54</b>
	Example of Messages	54
<b>Appendix B</b>		<b>55</b>
	FIX Documentations	55

## Introduction

The IDX Brokerage Server Service provides a service of receiving data, which are transactions to be transmitted from brokerage server to the IDX computer. The main purpose of the data transmission is to send automated order messages. The messages must comply to a certain specification of stock exchange information exchange protocol. This document is intended to be the specification.

The data transmission service is available every market day on trading session. On Monday until Thursday the morning trading session starts at 09:00 and ends at 11:30. The afternoon trading session starts at 13:30 and ends at 15:00. On Friday morning trading session starts at 09:00 and ends at 11:30, afternoon trading session starts at 13:30 and ends at 15:00.

## I. Information Exchange Protocol Concept

This concept is developed to facilitate the electronic exchange of information related to securities transactions. It is basically adopted from the FIX (Financial Information Exchange) protocol version 4.2, and used partially for IDX purposes. It is used to communicate between exchange's trading engine and broker's brokerage information system engine. To support compatibility, TCP/IP protocol layer is used as transport protocol. Any physical medium that supports TCP/IP can be used to deliver information.

General format for each message:

<b>Header</b>	<b>DATA</b>	<b>Trailer</b>
---------------	-------------	----------------

The general format of a FIX message is a standard header followed by the message body fields and terminated with a standard trailer. Each message is constructed of a stream of <tag>=<value> fields. Each item/field/column in the message is separated by character ASCII <SOH> (001).

Examples of the messages in their full-length format can be seen at the Appendix A of this document.

Data types are mapped to ASCII strings as follows:

- int: Sequence of digits without commas or decimals and optional sign character (ASCII characters "-" and "0" - "9"). The sign character utilizes one byte (i.e. positive int is "99999" while negative int is "-99999").  
Examples: 723 in field 21 would be mapped int as |21=723|.  
-723 in field 12 would be mapped int as |12=-723|
- float: Sequence of digits with optional decimal point and sign character (ASCII characters "-", "0" - "9" and "."); the absence of the decimal point within the string will be interpreted as the float representation of an integer value. All float fields must accommodate up to fifteen significant digits.
- char: Alpha-numeric free format strings, can include any character or punctuation except the delimiter. All char fields are case sensitive (i.e. **jakarta** is not the same with **Jakarta**).
- time: Time/date combination in YYYYMMDD-HH:MM:SS format, colons and dash required. Valid values: YYYY = 0000-9999, MM = 01-12, DD = 01-31, HH = 00-23, MM = 00-59, SS = 00-59.
- date: Date in YYYYMMDD format. Valid values: YYYY = 0000-9999, MM = 01-12, DD = 01-31.

The protocol assumes complete ordered delivery of messages between parties. Implementers should consider this when designing message gap fill processes. Two options exist for dealing with gaps, either request all messages subsequent to the last message received or ask for the specific message missed while maintaining an ordered list of all newer messages. For example, if the receiver misses the second of five messages, the application could ignore messages 3 through 5 and generate a resend request for messages 2 through 5. Another option would involve saving messages 3 through 5 and resending only message 2. In both cases, messages 3 through 5 should not be processed before message 2.

The protocol is based on an optimistic model; normal delivery of data is assumed (i.e. no acknowledgment of individual messages) with errors in delivery identified by message sequence number gaps. Each message is identified by a unique sequence number. It is the receiving application's responsibility to monitor incoming sequence numbers to identify message gaps for response with resend request messages.

The protocol does not support individual message acknowledgment. However, a number of application messages require explicit application level acceptance or rejection. Orders, cancel requests, cancel/replace requests and allocation require specific application level response, execution reports can be rejected with the DK message but do not require explicit acceptance.

## II. ORI Header

Tag	Field Name	Comments	Valid Value
8	BeginString	FIX.4.2 (Always unencrypted, must be first field in message)	FIX.4.2-JSX
9	BodyLength	(Always unencrypted, must be second field in message)	Calculate by system
35	MsgType	(Always unencrypted, must be third field in message)	Depend on Msg to be sent.
49	SenderCompID	(Always unencrypted)	Sender FIX Engine ID (FIX Engine Setup)
56	TargetCompID	(Always unencrypted)	Receiver FIX Engine ID (FIX Engine Setup)
34	MsgSeqNum	(Can be embedded within encrypted data section.)	FIX Engine supplied.
50	SenderSubID	(Can be embedded within encrypted data section.)	Reserved
142	SenderLocationID	Sender's LocationID (i.e. geographic location and/or desk) (Can be embedded within encrypted data section.)	Trader IP Address supplied by Broker.
52	SendingTime	(Can be embedded within encrypted data section.)	Timestamp from FIX Engine

### III. Administrative Messages

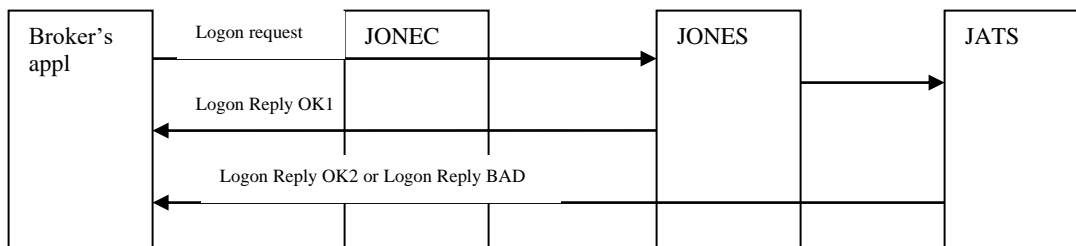
#### 1. LOGON

Logon process flow as follow:

- 1) Broker's application sends Logon Request message to JONEC (see Logon Request's table below).
- 2) Broker's application will receive Logon Reply OK1 message from JONES via JONEC (see Logon Reply OK1's table below)
- 3) Broker's application will receive second message from JATS via JONES and JONEC with condition as follow:
  - a) If logon is succesfull, broker's application will receive Logon Reply OK2 message (see Logon Reply OK2's table below).
  - b) If logon is rejected, broker's application will receive Logon Reply BAD message (see Logon Reply BAD's table below).
- 4) Session will be disconnected.

Summary:

- Logon Reply OK will consist of two Logon messages (MsgType=A).
- Logon Reply Bad change from MsgType=A to MsgType=5.



Messages structures are as follow:

- **Logon Request**

Tag	Field Name	Comments	Valid Value	Type
	Standard Header	MsgType = A (Logon)		
98	EncryptMethod	No encryption	0	See Appendix C
108	HeartBtInt	FIX Engine setup (seconds) Supplied by broker	45	
6001	UserID	ID The User logged onto the JATS	User ID	
6002	CurrentPassword	The User Current password. Password must meet complexity requirements. Must be combination of alphanumeric characters.	Supplied by broker	
	Standard Trailer			



- **Logon Reply OK1**

Tag	Field Name	Comments	Valid Value	Type
	Standard Header	MsgType = A (Logon)		
98	EncryptMethod	No encryption	0	See Appendix C
108	HeartBtInt	FIX Engine setup (seconds)	45	
	Standard Trailer			

- **Logon Reply OK2**

Tag	Field Name	Comments	Valid Value	Type
	Standard Header	MsgType = A (Logon)		
98	EncryptMethod	No encryption	0	See Appendix C
108	HeartBtInt	FIX Engine setup (seconds)	45	
6001	UserID	ID The User logged onto the JATS	NO	
6090	LogonReply	Is required to change Password	1 = Do not need to change password 2 = Current password expires in n day(s) or Password-change-required (should change password before order entry) 3 = password expired. Password change required for user. user must change password first, if user doesn't change password, user will be forced logout.  <i>Password must meet:</i> - complexity requirements. - combination of alphanumeric characters. - full length as specified.	
6091	LogonDesc	Logon Description	JATS Message	
	Standard Trailer			

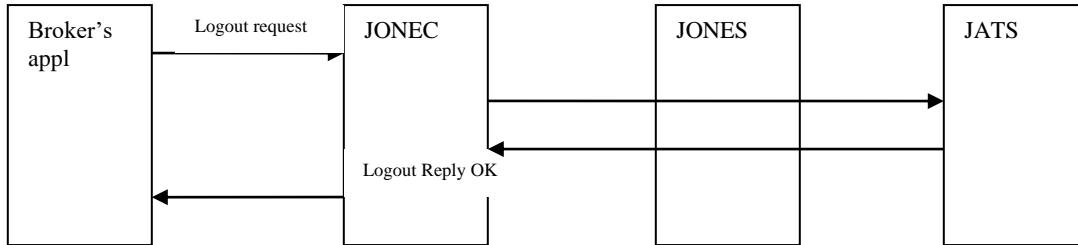
- **Logon Reply BAD**

Tag	Field Name	Comments	Valid Value	Type
	Standard Header	MsgType = 5 (Logout)		
58	Text	Error message	Error message	See Appendix C
	Standard Trailer			

## 2. Logout

Logout Process as follow:

- 1) Broker's application sends Logout request message to JONEC (see Logout Request below). Msg Type = 5, with field Text=Userid.
- 2) Broker's application receives Logout Reply OK from JONES (see Logout Reply OK below). MsgType=5 with field Text="Confirm Logout". And session disconnected.



Note:

- Logout Reply Bad is not required.

- **Logout Request**

Tag	Field Name	Comments	Valid Value	Type
	Standard Header	MsgType = 5 (Logout)		
58	Text	ID The User logged onto the JATS	<userid>	See Appendix C
	Standard Trailer			

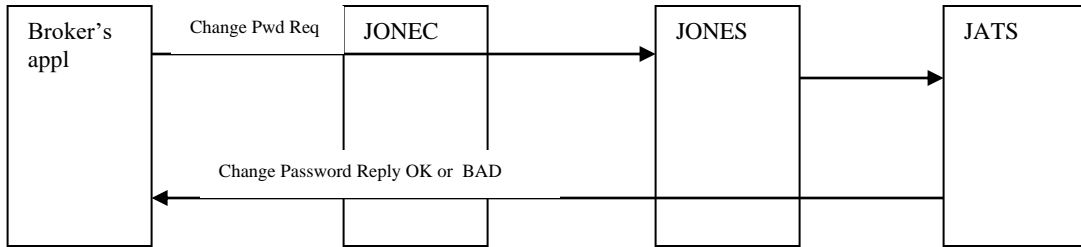
- **Logout Reply OK**

Tag	Field Name	Comments	Valid Value	Type
	Standard Header	MsgType = 5 (Logout)		
58	Text	Return message	"confirming logout"	See Appendix C
	Standard Trailer			

## 3. Change Password

Process flow as follow:

- 1) Broker's application sends Change Password Request to JONEC (see Change Password Request's table below)
- 2) Broker's application receives Change Password Reply OK or Change Password Reply BAD (see Change Password Reply OK's or Change Password Reply BAD's table below)



- **Change Password Request**

Tag	Field Name	Comments	Valid Value	Type
	Standard Header	MsgType = U1		
6001	UserID	ID The User logged onto the JATS	User ID	See Appendix C
6002	Current Password	The User Current password		
6003	New Password	The User New password		
6004	Return Value	" "	" " (Single Space)	
	Standard Trailer			

- **Change Password Reply OK**

Tag	Field Name	Comments	Valid Value	Type
	Standard Header	MsgType = U1 (Change Password)		
6001	UserID	ID The User logged onto the JATS	" " (Single Space)	See Appendix C
6002	Current Password	The User Current password	" " (Single Space)	
6003	New Password	The User New password	" " (Single Space)	
6004	Return Value	Text	"User password successfully changed"	
	Standard Trailer			

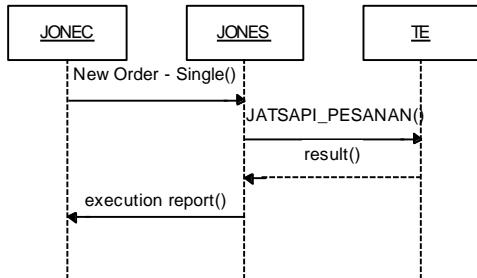
- **Change Password Reply BAD**

Tag	Field Name	Comments	Valid Value	Type
	Standard Header	MsgType = U1		
6001	UserID	ID The User logged onto the JATS	" " (Single Space)	See Appendix C
6002	Current Password	The User Current password	" " (Single Space)	
6003	New Password	The User New password	" " (Single Space)	
6004	Return Value	Text Error message		
	Standard Trailer			

## IV. Application Messages

The broker's application will either send both tag 65 (SymbolSfx) and tag 48 (SecurityID) or tag 65 (SymbolSfx) only for sending message because it will be rejected by the system if it is inconsistent.

### 4. New Order - Single / Advertisement



- **New Order Request**

Tag	Field Name	Comments	Valid Value	Type
	Standard Header	MsgType = D (New Order – Single)		
11	ClOrdID	Unique identifier of the order as assigned by Broker.	Broker reference	See Appendix C
109	ClientID	Used for firm identification in third-party transactions.	User ID	
1	Account	Account mnemonic as agreed between broker and institution.	A or I or S or F	
21	HandlInst	Instructions for order handling on Broker trading floor	=1 for normal order =2 for advertisement	
18	ExecInst	Order Method	See Order Method Table	
55	Symbol	Ticker symbol	Supplied by broker	
65	SymbolSfx	Board.	for normal order : ORG : Regular Market OTN : Cash Market OOD : Odd-Lot Regular Market Note: '0+board code' Supplied by broker ORG, OTN (without space). for advertisement : ONG : Negotiation Market	
48	SecurityID	Security number. Request for list of securities number using Security Request message (see Security Request message table)  Supplied by broker	Security number from JATS.	

Tag	Field Name	Comments	Valid Value	Type
54	Side	Indicating a buy, sell, short sell, margin order or Price Stabilization	1 = buy 2 = sell 5 = sell short M = margin P = Price Stabilization	See Appendix C
60	TransactTime	Time this order request was initiated/released by the trader.  Current time  Supplied by broker.	yyyyMMdd-HH:mm:ss.SSS	
38	OrderQty	Either CashOrderQty or OrderQty is required.	Order quantity in LOT Advertisement quantity in share	
40	OrdType	1 – Market Order 7 – Limit or Better	1 – Market Order or 7 – Limit or Better	
44	Price	Required for limit OrdTypes. For F/X orders, should be the “all-in” rate (spot rate adjusted for forward points). Can be used to specify a limit price for a pegged order, previously indicated, etc.	Order price	
99	StopPx	Required for OrdType = “Stop” or OrdType = “Stop limit”.	Order price	
59	TimeInForce	Absence of this field indicates Day order.	See order method table 0 – Day order 3- IOC 4- FOK S – Session order	
432	ExpireDate	Conditionally required if TimeInForce = GTD and ExpireTime is not specified.	Date	
58	Text	Quantity of recurring order	Number of Hidden Quantity (future use)	
440	ClearingAccount	Clearing Account Number	Set to “ ” (single space)	
376	ComplianceID	ID used to represent this transaction for compliance Trading-ID purposes	Trading-ID contains 6 digit alpha numeric of SID (from 8th digit to 13th digit). SID is provided by Indonesian Central Securities Depository (KSEI)	
	Standard Trailer			

### Order Method Table

No	Order Method				OrdType	ExecInst	TimeInForce	Remark
					<40>	<18>	<59>	
1	Market	Stop Order	Split	Blank	1	-	-	Not Applicable
2	Market	Non-stop Order	Split	Blank	1	-	-	Future use
3	Market	Stop Order	Split	Day	1	-	0	Not Applicable
4	Market	Non-stop Order	Split	Day	1	-	0	New use
5	Market	Stop Order	Split	GTC	1	-	1	Not Applicable

No	Order Method				OrdType	ExecInst	TimelnForce	Remark
					<40>	<18>	<59>	
6	Market	Non-stop Order	Split	GTC	1	-	1	Future use
7	Market	Stop Order	Split	IOC	1	-	3	Not Applicable
8	Market	Non-stop Order	Split	IOC	1	-	3	New use
9	Market	Stop Order	Split	FOK	1	-	4	Not Applicable
10	Market	Non-stop Order	Split	FOK	1	-	4	New use
11	Market	Stop Order	Split	GTD	1	-	6	Not Applicable
12	Market	Non-stop Order	Split	GTD	1	-	6	Future use
13	Market	Stop Order	Split	Session	1	-	S	Not Applicable
14	Market	Non-stop Order	Split	Session	1	-	S	New use
15	Market	Stop Order	AON	Blank	1	G	-	Not Applicable
16	Market	Non-stop Order	AON	Blank	1	G	-	Future use
17	Market	Stop Order	AON	Day	1	G	0	Not Applicable
18	Market	Non-stop Order	AON	Day	1	G	0	Future use
19	Market	Stop Order	AON	GTC	1	G	1	Not Applicable
20	Market	Non-stop Order	AON	GTC	1	G	1	Future use
21	Market	Stop Order	AON	IOC	1	G	3	Not Applicable
22	Market	Non-stop Order	AON	IOC	1	G	3	Future use
23	Market	Stop Order	AON	FOK	1	G	4	Not Applicable
24	Market	Non-stop Order	AON	FOK	1	G	4	Future use
25	Market	Stop Order	AON	GTD	1	G	6	Not Applicable
26	Market	Non-stop Order	AON	GTD	1	G	6	Future use
27	Market	Stop Order	AON	Session	1	G	S	Not Applicable
28	Market	Non-stop Order	AON	Session	1	G	S	Future use
29	Limit	Stop Order	Split	Blank	4	-	-	Future use
30	Limit	Non-stop Order	Split	Blank	7	-	-	Future use
31	Limit	Stop Order	Split	Day	4	-	0	Future use
32	Limit	Non-stop Order	Split	Day	7	-	0	Current use
33	Limit	Stop Order	Split	GTC	4	-	1	Future use
34	Limit	Non-stop Order	Split	GTC	7	-	1	Future use
35	Limit	Stop Order	Split	IOC	4	-	3	Future use
36	Limit	Non-stop Order	Split	IOC	7	-	3	New use
37	Limit	Stop Order	Split	FOK	4	-	4	Future use
38	Limit	Non-stop Order	Split	FOK	7	-	4	New use
39	Limit	Stop Order	Split	GTD	4	-	6	Future use
40	Limit	Non-stop Order	Split	GTD	7	-	6	Future use
41	Limit	Stop Order	Split	Session	4	-	S	Future use
42	Limit	Non-stop Order	Split	Session	7	-	S	Current use
43	Limit	Stop Order	AON	Blank	4	G	-	Future use
44	Limit	Non-stop Order	AON	Blank	7	G	-	Future use
45	Limit	Stop Order	AON	Day	4	G	0	Future use
46	Limit	Non-stop Order	AON	Day	7	G	0	Future use
47	Limit	Stop Order	AON	GTC	4	G	1	Future use
48	Limit	Non-stop Order	AON	GTC	7	G	1	Future use
49	Limit	Stop Order	AON	IOC	4	G	3	Future use
50	Limit	Non-stop Order	AON	IOC	7	G	3	Future use
51	Limit	Stop Order	AON	FOK	4	G	4	Future use
52	Limit	Non-stop Order	AON	FOK	7	G	4	Future use
53	Limit	Stop Order	AON	GTD	4	G	6	Future use

No	Order Method				OrdType	ExecInst	TimeInForce	Remark
					<40>	<18>	<59>	
54	Limit	Non-stop Order	AON	GTD	7	G	6	Future use
55	Limit	Stop Order	AON	Session	4	G	S	Future use
56	Limit	Non-stop Order	AON	Session	7	G	S	Future use

- **New Order Reply OK**

Tag	Field Name	Comments	Valid Value	Type
	Standard Header	MsgType = 8 (Execution Report)		
37	OrderID	OrderID is required to be unique for each chain of orders. The orderID will be reset at the start of each trading day	JATS order number	See Appendix C
11	ClOrdID	Required for executions against electronically submitted orders which were assigned an ID by the institution. Not required for orders manually entered by the broker.	Broker reference	
17	ExecID	Must be unique for each Execution Report message.  JATS time stamp	hhmmsszzz (zzz in millisecond)	
20	ExecTransType	Identifies transaction type	"0" = new	
150	ExecType	Describes the type of execution report. Same possible values as OrdStatus.	"0" = new	
39	OrdStatus	Describes the current state of a CHAIN of orders, same scope as OrderQty, CumQty, LeavesQty, and AvgPx	"0" = new or "1" for partially matched or "2" for fully matched	
55	Symbol	Ticker Symbol	See security code. Example: "TLKM"	
54	Side	Indicating a buy, sell, short sell, margin order or Price Stabilization	1 = Buy 2 = Sell 5 = Sell short M = Margin P = Price Stabilization	
38	OrderQty	Either CashOrderQty or OrderQty is required. Not required for a rejected cash order or an order ack for a cash order.	Accepted order quantity in LOT Supplied by JATS  Order quantity in LOT Advertisement quantity in share	
44	Price	Required if specified on the order	Accepted order price Supplied by JATS	

Tag	Field Name	Comments	Valid Value	Type
151	LeavesQty	Amount of shares open for further execution. If the OrdStatus is Canceled, DoneForTheDay, Expired, Calculated, or Rejected (in which case the order is no longer active) then LeavesQty could be 0, otherwise LeavesQty = OrderQty - CumQty.	Balance quantity Supplied by JATS	
14	CumQty	Currently executed shares for chain of orders.	Matched quantity Supplied by JATS	
6	AvgPx	Not Applicable	0 Supplied by fix engine	
21	HandInst	1 - normal order, or 2 - adv	1 - normal order, or 2 - adv	
31	LastPx	Price	Price, = 0	
32	LastShares	Matched Qty	Matched Qty, = 0	
	Standard Trailer			

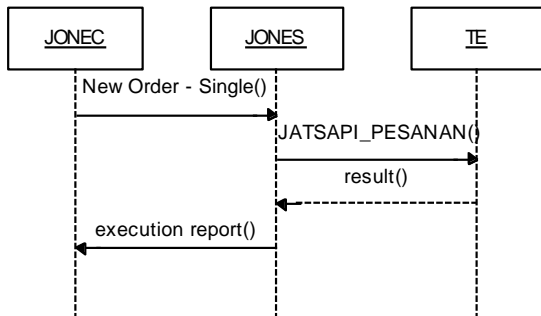
- **New Order Reply BAD**

Tag	Field Name	Comments	Valid Value	Type
	Standard Header	MsgType = 8 (Execution Report)		
37	OrderID	OrderID is required to be unique for each chain of orders.	Order number = "000000000000" (no JATS order number)	See Appendix C
11	ClOrdID	Required for executions against electronically submitted orders which were assigned an ID by the institution. Not required for orders manually entered by the broker.	Broker reference	
17	ExecID	Must be unique for each Execution Report message	JATS time stamp (hhmmsszzz) Zzz= millisecond	
20	ExecTransType	Identifies transaction type	0 = New 1 = Cancel 2 = Correct 3 = Status	
150	ExecType	Describes the type of execution report. Same possible values as OrdStatus.	=8 (rejected)	
39	OrdStatus	Describes the current state of a CHAIN of orders, same scope as OrderQty, CumQty, LeavesQty, and AvgPx	=8 (rejected)	
55	Symbol	Ticker Symbol	See security code. Example: "TLKM"	



54	Side	Indicating a buy, sell, short sell, margin order or Price Stabilization	1 = Buy 2 = Sell 5 = Sell short M = Margin P = Price Stabilization
151	LeavesQty	No LeavesQty  Amount of shares open for further execution. If the OrdStatus is Canceled, DoneForTheDay, Expired, Calculated, or Rejected (in which case the order is no longer active) then LeavesQty could be 0, otherwise LeavesQty = OrderQty - CumQty.	0
14	CumQty	Currently executed shares for chain of orders.	=0
6	AvgPx	Not Applicable	=0
21	HandInst	1 for normal order, 2 - adv	1 or 2
58	Text	Error Message	Error Message
31	LastPx	Price	0
32	LastShares	Matched Qty	0
	Standard Trailer		

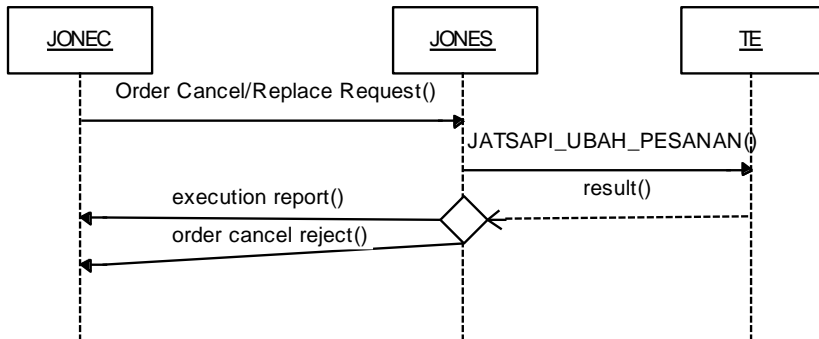
- **Matched Order Reply**



Tag	Field Name	Req'd	Comments	Valid Value	Type
	Standard Header	Y	MsgType = 8 (Execution Report)		
37	OrderID	Y	OrderID is required to be unique for each chain of orders. The orderID will be reset at the start of each trading day	JATS order number	See Appendix C

Tag	Field Name	Req'd	Comments	Valid Value	Type
11	ClOrdID	N	Required for executions against electronically submitted orders which were assigned an ID by the institution. Not required for orders manually entered by the broker.	Broker reference	
17	ExecID	Y	Must be unique for each Execution Report message	JATS time stamp (hhmmsszzz) Zzz= millisecond	
20	ExecTransType	Y	=0 (new)	0	
150	ExecType	Y	Describes the type of execution report. Same possible values as OrdStatus. =0 (new)	0	
39	OrdStatus	Y	Describes the current state of a CHAIN of orders, same scope as OrderQty, CumQty, LeavesQty, and AvgPx	"1" for partially matched or "2" for fully matched	
55	Symbol	Y	Ticker Symbol	See security code. Example: "TLKM"	
54	Side	Y	Side of order	1 = Buy 2 = Sell 5 = Sell short M = Margin P = Price Stabilization	
38	OrderQty	N	Either CashOrderQty or OrderQty is required. Not required for a rejected cash order or an order ack for a cash order.	Accepted order quantity Supplied by JATS  Order quantity in LOT Advertisement quantity in share	
44	Price	N	Required if specified on the order	Matched price	
151	LeavesQty	Y	Amount of shares open for further execution. If the OrdStatus is Canceled, DoneForTheDay, Expired, Calculated, or Rejected (in which case the order is no longer active) then LeavesQty could be 0, otherwise LeavesQty = OrderQty - CumQty.	Balance quantity  Supplied by JATS	
14	CumQty	Y	Currently executed shares for chain of orders.	Matched quantity Supplied by JATS	
6	AvgPx	Y	Not Applicable	0	
21	HandlInst	N	1 for normal order, 2 - adv	1 or 2	
31	LastPx		Price	Price	
32	LastShares		Matched Qty	Matched Qty	
	Standard Trailer	Y			

## 5. Order Cancel/Replace Request (a.k.a. Order Modification Request)



- Order Amend Request

Tag	Field Name	Comments	Valid Value	Type
	Standard Header	MsgType = G (Order Cancel / Replace)		
37	OrderID	Unique identifier of most recent order as assigned by broker.	JATS order number	See Appendix C
109	ClientID	Used for firm identification in third-party transactions (should not be a substitute for OnBehalfOfCompID/DeliverToCompID).	User ID	
41	OrigClOrdID	ClOrdID of the previous order (NOT the initial order of the day) when canceling or replacing an order.	Supplied by Broker: It represents old broker order number (old broker ref).	
11	ClOrdID	Unique identifier of replacement order as assigned by institution. Note that this identifier will be used in ClOrdID field of the Cancel Reject message if the replacement request is rejected.	Supplied by Broker: It represents new broker order number (new broker ref).	
1	Account	Account mnemonic as agreed between broker and institution.	A or I or S or F	
21	HandInst	Instructions for order handling on Broker trading floor	1 for normal order, 2 - adv	
55	Symbol	Must match original order	See security code. Example: "TLKM" Supplied by broker.	
54	Side	Must match original side, however, Buy and Buy Minus can be interchanged as well as Sell and Sell Plus	1 = Buy 2 = Sell 5 = Sell short M = Margin P = Price Stabilization	

Tag	Field Name	Comments	Valid Value	Type
60	TransactTime	Time this order request was initiated/released by the trader.	yyyyMMdd-HH:mm:ss.SSS Supplied by Broker	See Appendix C
38	OrderQty	Either CashOrderQty or OrderQty is required. Note that either, but not both, CashOrderQty or OrderQty should be specified. Should be the "Total Intended Order Quantity" (including the amount already executed for this chain of orders)	New order quantity  Order quantity in LOT Advertisement quantity in share	
40	OrdType	Must match original OrdType.	See Order Method Table	
44	Price	Required for limit OrdTypes. For F/X orders, should be the "all-in" rate (spot rate adjusted for forward points). Can be used to specify a limit price for a pegged order, previously indicated, etc.	New price	
59	TimeInForce	Absence of this field indicates Day order. See Order Method Table	See Order Method Table	
432	ExpireDate	Conditionally required if TimeInForce = GTD and ExpireTime is not specified.	Expire date of Order	
58	Text	Hidden quantity	Number of Hidden Quantity (future use)	
440	ClearingAccount	Clearing Account Number	Set to " " (single space)	
376	ComplianceID	ID used to represent this transaction for compliance Trading-ID purposes	Trading-ID contains 6 digit alpha numeric of SID (from 8th digit to 13th digit). SID is provided by Indonesian Central Securities Depository (KSEI)	
	Standard Trailer			

- **Order Amend Reply OK**

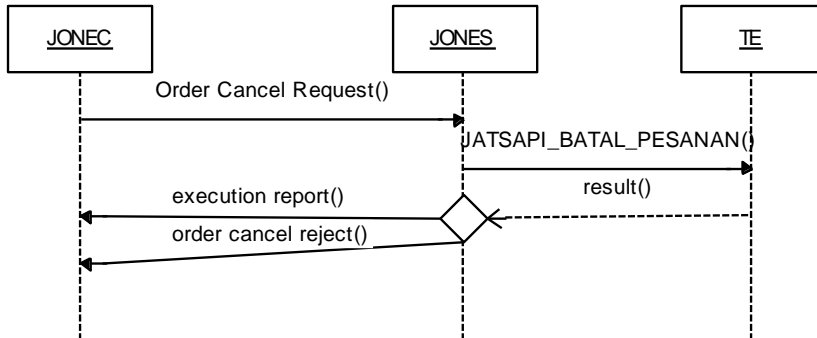
Tag	Field Name	Comments	Valid Value	Type
	Standard Header	MsgType = 8 (Execution Report)		See Appendix C
37	OrderID	OrderID is required to be unique for each chain of orders. = New ORDERNO The orderID will be reset at the start of each trading day	New JATS order number	
11	ClOrdID	Required for executions against electronically submitted orders which were assigned an ID by the institution. Not required for orders manually entered by the broker.	Broker Reference	
17	ExecID	Must be unique for each Execution Report message	JATS time stamp (hhmmsszzz) Zzz= millisecond	

Tag	Field Name	Comments	Valid Value	Type
20	ExecTransType	Identifies transaction type	0 = New 1 = Cancel 2 = Correct/Amend 3 = Status  Valid values: 2	
19	ExecRefID	BrokerRef	BrokerRef If tag 20 = 0 then this value is space ' '	See Appendix C
150	ExecType	Describes the type of execution report. Same possible values as OrdStatus.	=5 (replaced/Order replacement)	
39	OrdStatus	Describes the current state of a CHAIN of orders, same scope as OrderQty, CumQty, LeavesQty, and AvgPx	=5 (replaced/Order replacement)	
55	Symbol	Ticker Symbol .	See security code. Example: "TLKM"	
54	Side	Side of order	1 = Buy 2 = Sell 5 = Sell short M = Margin P = Price Stabilization	
38	OrderQty	Either CashOrderQty or OrderQty is required. Not required for a rejected cash order or an order ack for a cash order.	New Qty  Order quantity in LOT Advertisement quantity in share	
44	Price	Required if specified on the order	Accepted order price	
151	LeavesQty	Amount of shares open for further execution. If the OrdStatus is Canceled, DoneForTheDay, Expired, Calculated, or Rejected (in which case the order is no longer active) then LeavesQty could be 0, otherwise LeavesQty = OrderQty - CumQty.	Balance qty.  Supplied by JATS	
14	CumQty	Currently executed shares for chain of orders.	Matched qty. Supplied by JATS	
6	AvgPx	Not Applicable	0	
21	HandInst	1 for normal order, 2 - adv	1 for normal order, 2 - adv	
31	LastPx	Price	Price	
32	LastShares	New Qty	New Qty	
	Standard Trailer			

- Order Amend Reply BAD

Tag	Field Name	Comments	Valid Value	Type
	Standard Header	MsgType = 9 (Cancel Reject)		
37	OrderID	If CxlRejReason="Unknown order", specify "NONE".	Order number="000000000000"  (no JATS order number)	See Appendix C
11	ClOrdID	Unique order id assigned by institution to the cancel request or to the replacement order.	Broker Reference	
41	OrigClOrdID	ClOrdID which could not be canceled/replaced. ClOrdID of the previous order (NOT the initial order of the day) when canceling or replacing an order.	Set to " " (blank)	
39	OrdStatus	OrdStatus value after this cancel reject is applied.	=8 (Rejected)	
434	CxlRejResponseTo	Identifies the type of request that a Cancel Reject is in response to.	1 - Order Cancel Request 2 - Order Cancel/Replace Request  Valid values: 2	
58	Text	Error Message Text	Error Message	
	Standard Trailer			

## 6. Order Cancel Request



- **Order Cancel Request**

Tag	Field Name	Comments	Valid Value	Type
	Standard Header	MsgType = F (Order Cancel Request)		
41	OrigClOrdID	ClOrdID of the previous order (NOT the initial order of the day) when canceling or replacing an order.	Supplied by broker. (broker old order number/old broker ref)	See Appendix C
37	OrderID	Unique identifier of most recent order as assigned by broker.	JATS order number.	
11	ClOrdID	Unique ID of cancel request as assigned by the institution.	Supplied by broker. (broker order number/broker ref)	
1	Account	Account mnemonic as agreed between broker and institution.	A or I or S or F	
109	ClientID	Used for firm identification in third-party transactions (should not be a substitute for OnBehalfOfCompID/DeliverToCompID).	User ID	
55	Symbol	Ticker symbol	Supplied by broker	
65	SymbolSfx	Board.	for normal order : ORG : Pasar Regular OTN : Pasar Tunai OOD : Pasar Regular Odd-Lot Note: '0+board code' Supplied by broker ORG, OTN (without space). for advertisement : ONG : Pasar Negosiasi	
48	SecurityID	Security number from JATS.  Request for list of securities number using Security Request message	(see Security Request message table) Supplied by broker	

Tag	Field Name	Comments	Valid Value	Type
54	Side	Side of order	1 = Buy 2 = Sell 5 = Sell short M = Margin P = Price Stabilization	See Appendix C
60	TransactTime	Time this order request was initiated/released by the trading system.	yyyyMMdd HH:mm:ss.SSS Current time Supplied by broker.	
38	OrderQty	1 for withdrawing normal order 2 for withdrawing advertisement	1 or 2	
58	Text	Consist of 5 fields:  1. Operation (A) char[1], 2. Price Operation Code (=) char[1], 3. Price N[10], 4. User ID char[12] 5. Broker ID char[12].	Valid values:  For field operation: A  For field Price Operation Code: 2  For field Price : Order price which going to Cancel  For field UserID : Owner User ID  For field Broker ID: Owner Firm ID	
	Standard Trailer			

- Order Cancel Reply OK

Tag	Field Name	Comments	Valid Value	Type
	Standard Header	MsgType = 8 (Execution Report)		
37	OrderID	OrderID is required to be unique for each chain of orders.	JATS order number which going to cancel.	See Appendix C
17	ExecID	Must be unique for each Execution Report message.	JATS time stamp (hhmmsszzz) Zzz= milisecond	
20	ExecTransType	Identifies transaction type	Valid values: 1 = Cancel	
19	ExecRefID	BrokerRef	BrokerRef If tag 20 = 0 then this value is space ' '	
150	ExecType	Describes the type of execution report. Same possible values as OrdStatus.	=4 (cancelled)	
39	OrdStatus	Describes the current state of a CHAIN of orders, same scope as OrderQty, CumQty, LeavesQty, and AvgPx	=4 (cancelled)	
55	Symbol	Set to " " (Single space)	Set to " " (Single space)	
54	Side	Set to " " (Single space)	Set to " " (Single space)	

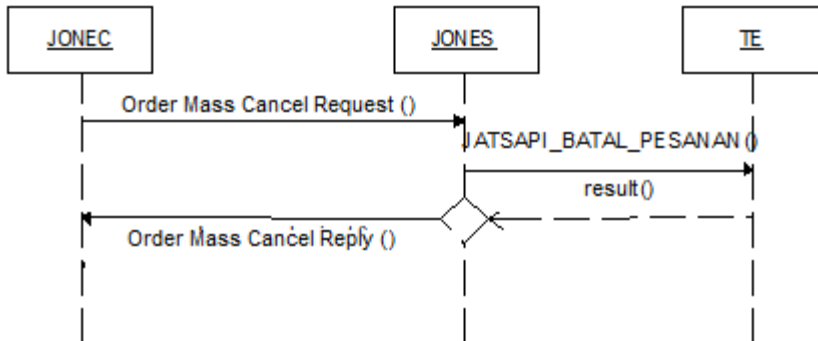


Tag	Field Name	Comments	Valid Value	Type
151	LeavesQty	Amount of shares open for further execution. If the OrdStatus is Canceled, DoneForTheDay, Expired, Calculated, or Rejected (in which case the order is no longer active) then LeavesQty could be 0, otherwise LeavesQty = OrderQty - CumQty.	0 Balance qty. Supplied by JATS	See Appendix C
14	CumQty	Currently executed shares for chain of orders.	0 Matched qty. Supplied by JATS	
6	AvgPx	Not Applicable	0	
21	HandlInst	1 for normal order, 2 - adv	1 or 2	
58	Text	Cancel Status OK		
31	LastPx	Price	0	
32	LastShares	New Qty	0	
	Standard Trailer			

- Order Cancel Reply BAD

Tag	Field Name	Comments	Valid Value	Type
	Standard Header	MsgType = 9 (Order Cancel Reject)		See Appendix C
37	OrderID	If CxlRejReason="Unknown order", specify "NONE".	JATS order number which failed to cancel.	
11	ClOrdID	Unique order id assigned by institution to the cancel request or to the replacement order.	" "	
41	OrigClOrdID	ClOrdID which could not be canceled/replaced. ClOrdID of the previous order (NOT the initial order of the day) when canceling or replacing an order.	" "	
39	OrdStatus	OrdStatus value after this cancel reject is applied.	=8 (Rejected)	
434	CxlRejResponseTo	Identifies the type of request that a Cancel Reject is in response to.	1 - Order Cancel Request 2 - Order Cancel/Replace Request  Valid values: 1	
58	Text	Error Message Text	Error Message	
	Standard Trailer			

## 7. Order Mass Cancel



- **Order Mass Cancel Request**

Tag	Field Name	Comments	Valid Value	Type
	Standard Header	MsgType = q1 (Order Cancel Request)		
11	ClOrdID	Unique ID of cancel mass request as assigned by the institution.	Supplied by broker.	See Appendix C
6067	MassWithdrawRequestType	Specifies the type of cancellation requested  Valid value 2, 5 and 6 are not implemented yet	1 = Cancel orders for a security 2 = Cancel orders for an Underlying security 5 = Cancel orders for a SecurityType 6 = Cancel orders for a trading session 7 = Cancel all orders/firm 8 = Cancel particular board	
55	Symbol	Ticker symbol	Supplied by broker.	
65	SymbolSfx	Board.	for normal order : ORG : Regular Market OTN : Cash Market OOD : Odd-Lot Regular Market Note: '0+board code' Supplied by broker ORG, OTN (without space). for advertisement : ONG : Negotiation Market	
48	SecurityID	Security number. Request for list of securities number using Security Request message (see Security Request message table)  Supplied by broker	Security number from JATS.	
336	TradingSessionID	Trading Session in which orders are to be canceled	(not implemented yet)	

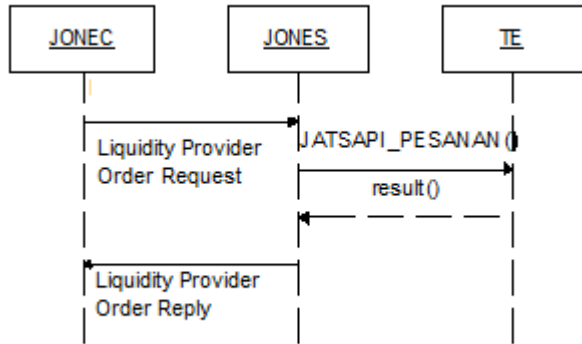
Tag	Field Name	Comments	Valid Value	Type
54	Side	Optional qualifier used to indicate the side of the market for which orders are to be canceled. Absence of this field indicates that orders are to be canceled regardless of side.  (not implemented yet)	1 = Buy 2 = Sell 5 = Sell short M = Margin P = Price Stabilization	See Appendix C
	Standard Trailer			

- **Order Mass Cancel Reply**

Tag	Field Name	Comments	Valid Value	Type
	Standard Header	MsgType = r1 (Order Mass Cancel Reply)		
11	CIOrdID	Unique ID of cancel mass request as assigned by the institution.  In case connection is broken and broker reconnect to IDX, IDX can not provide previous CIOrdID	Supplied by broker.	See Appendix C
6068	MassWithdrawResponse	Indicates the action taken by the counterparty order handling system as a result of the Cancel Request  Valid value 2, 5 and 6 are not implemented yet	1 = Cancel orders for a security 2 = Cancel orders for an Underlying security 5 = Cancel orders for a SecurityType 6 = Cancel orders for a trading session 7 = Cancel all orders/firm 8 = Cancel particular board	
6069	MassWithdrawRejectReason	Required if MassCancelResponse=0	0 = Mass Cancel Not Supported 1 = Invalid or unknown Security 98 = Invalid or unknown Board 99 = Other	
58	Text			
	Standard Trailer			

## 8. Liquidity Provider Order

This order is matchable with other order, include normal order and other liquidity provider order



- **New Liquidity provider Order Request**

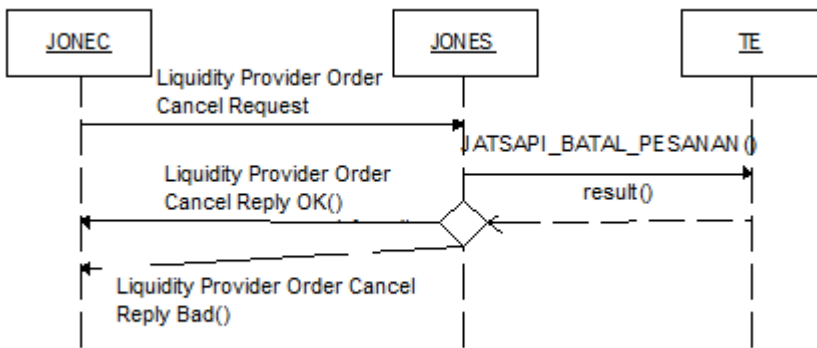
Tag	Field Name	Comments	Valid Value	Type
	Standard Header	MsgType = S (Quote)		
117	QuotID	Unique identifier of the order as assigned by Broker.	Broker Reference	See Appendix C
1	Account	Account mnemonic as agreed between broker and institution.	A or I or S or F	
55	Symbol	Ticker Symbol	See security code. Example: "TLKM7700ZZePWYYMMDD"  TLKM: underlying securities 7700: strike price ZZ: issuer e: European style PW: Put Warrant YYMMDD: maturity date	
65	SymbolSfx	Board	ORG : Regular Market OTN : Cash Market OOD : Odd-Lot Regular Market Note: '0+board code' Supplied by broker ORG, OTN (without space).	
48	Security ID	Security number. Request for list of securities number using Security Request message (see Security Request message table)  Supplied by broker		
62	ValidUntilTime	Expiry Time (not implemented yet)		
132	BidPx	Bid Price		See Appendix C
133	OfferPx	Offer Price		
134	BidSize	Bid Quantity		

Tag	Field Name	Comments	Valid Value	Type
135	OfferSize	Offer Quantity		
376	ComplianceID	ID used to represent this transaction for compliance Trading-ID purposes	Trading-ID contains 6 digit alpha numeric of SID (from 8th digit to 13th digit). SID is provided by Indonesian Central Securities Depository (KSEI)	
	Standard Trailer			

- Liquidity provider Order Reply

Tag	Field Name	Comments	Valid Value	Type
	Standard Header	MsgType = b (lowercase) (Quote Acknowledgement)		See Appendix C
117	QuoteID	Unique identifier of the order as assigned by Broker.	Broker Reference	
297	QuoteAckStatus	Status of the quote acknowledgement	Identifies the status of the quote acknowledgement. Valid values: 0-Accepted 5-Rejected	
300	QuoteRejectReason	Reason Quote was rejected.	Error message if quote rejected or successful	
	Standard Trailer			

## 9. Liquidity Provider Cancel Request



- Liquidity provider Cancel Request

Tag	Field Name	Comments	Valid Value	Type
	Standard Header	MsgType = Z (Quote Cancel)		See Appendix C
117	QuoteID	Unique identifier of the order as assigned by Broker.	Broker Reference	
298	QuoteCancelType	Identifies the type of Quote Cancel request.  Valid value 3 and 4 are not implemented yet	Identifies the type of quote cancel. Valid Values: 1 – Cancel for Security 3 – Cancel for Underlying Security 4 – Cancel All Quotes	

Tag	Field Name	Comments	Valid Value	Type
295	NoQuoteEntries	The number of securities whose quotes are to be canceled	1	
→	55	Symbol	<i>Ticker Symbol</i>	See security code. Example: "TLKM7700ZZePWYYMMDD"  TLKM : underlying securities 7700: strike price ZZ: issuer e: European style PW: Put Warrant YYMMDD: maturity date
→	65	SymbolSfx	<i>Board</i>	ORG : Regular Market OTN : Cash Market OOD : Odd-Lot Regular Market Note: '0+board code' Supplied by broker ORG, OTN (without space).
→	48	Security ID	<i>Security number. Request for list of securities number using Security Request message (see Security Request message table)</i>  <i>Supplied by broker</i>	
	<i>Standard Trailer</i>			

- **Liquidity provider Cancel Reply OK**

Tag	Field Name	Comments	Valid Value	Type
	<i>Standard Header</i>			
117	QuoteID	<i>Unique identifier of the order as assigned by Broker.</i>	Broker Reference	
297	QuoteAckStatus	Status of the quote acknowledgement  Valid value 3 and 4 are not implemented yet	Identifies the status of the quote acknowledgement. Valid values: 1-Canceled for Symbol(s) 3-Canceled for Underlying 4-Canceled All	See Appendix C
	<i>Standard Trailer</i>			

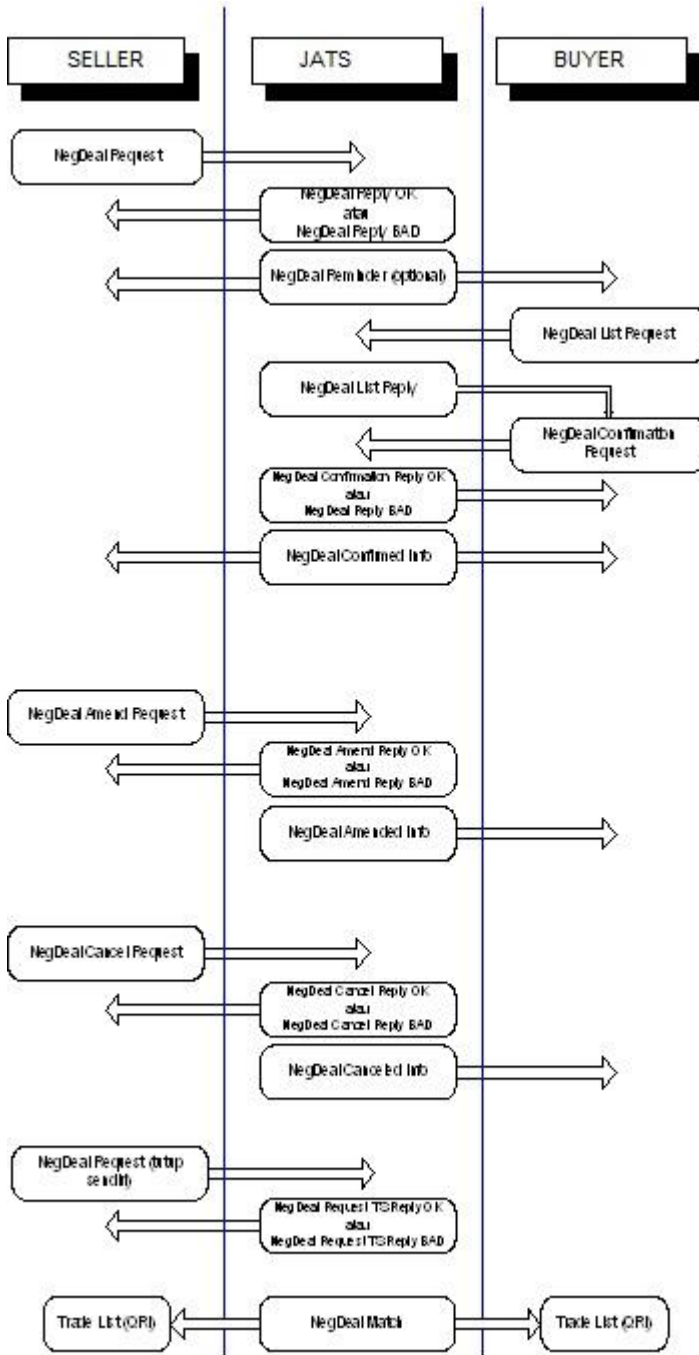
- **Liquidity provider Cancel Reply BAD**

Tag	Field Name	Comments	Valid Value	Type
	<i>Standard Header</i>			
117	QuoteID	<i>Unique identifier of the order as assigned by Broker.</i>	Broker Reference	
297	QuoteAckStatus	Status of the quote acknowledgement  Valid value 3 and 4 are not implemented yet	Identifies the status of the quote acknowledgement. Valid values: 1-Canceled for Symbol(s) 3-Canceled for Underlying 4-Canceled All	See Appendix C

300	QuoteRejectReason	Reason Quote was rejected.	Valid values : 250 - if there are no orders matched with the given criteria to be withdrawn 2 - for invalid board, 313 - for invalid security
	<i>Standard Trailer</i>		

## 10. Negotiation Deal

- Negotiation Deal Workflow





- **Negotiation Deal Request (Two Side)**

Tag	Field Name	Comments	Valid Value	Type
	Standard Header	MsgType = D (New Order)		
11	ClOrdID	Unique identifier of the order as assigned by institution.	Broker Reference	See Appendix C
109	ClientID	Used for firm identification in third-party transactions.	User ID	
1	Account	Account mnemonic as agreed between broker and institution.	A or I or S or F	
21	HandInst	Instructions for order handling on Broker trading floor	3	
55	Symbol	Ticker symbol	Supplied by broker	
65	SymbolSfx	Board.	ONG : Negotiation Market  Note: '0+board code' Supplied by broker. Without space	
48	SecurityID	Symbol ID  Request for list of securities number using Security Request message (see Security Request message table)  Supplied by broker	Security number from JATS.	
54	Side	Side of order	1=Buy (initiator) 2=Sell (initiator)	
64	SettlDate	Settlement Date	T+3 (YYYYMMDD)	
172	SettlDeliveryType	Identifies type of settlement	0 = 'Versus. Payment': Deliver (if Sell) or Receive (if Buy) vs. (Against) Payment 1 = 'Free': Deliver (if Sell) or Receive (if Buy) Free	
60	TransactTime	Time this order request was initiated/released by the trader.	yyyyMMdd-HH:mm:ss.SSS Current time	
38	OrderQty	Either CashOrderQty or OrderQty is required.	Order quantity  Order quantity in UNIT Advertisement quantity in share	
40	OrdType	Order type.	=E (Previously indicated)	

Tag	Field Name	Comments	Valid Value	Type
44	Price	Required for limit OrdTypes. For F/X orders, should be the "all-in" rate (spot rate adjusted for forward points). Can be used to specify a limit price for a pegged order, previously indicated, etc.	Price	
23	IOIId	Required for Previously Indicated Orders	0 (always zero for initiator)	
58	Text	Consist of 4 fields:  1. Couterpart UserID char[12], 2. Match Reference char[10], 3. Counterpart Account char[12], 4. Reminder Time Interval N[4]	Valid Values:  1. For Field Couterpart UserID : JATS Counterpart user id. Must be different from Tag 109: ClientID. 2. For Match Reference: spaces(10) 3. For Field Counterpart Account: spaces(12) 4. For Field Reminder Time Interval : Number of time period (in minutes) for repeat NegDeal Reminder message	See Appendix C
440	ClearingAccount	Clearing Account Number	Set to " " (single space)	
376	ComplianceID	ID used to represent this transaction for compliance Trading-ID purposes	Trading-ID contains 6 digit alpha numeric of SID (from 8th digit to 13th digit). SID is provided by Indonesian Central Securities Depository (KSEI)	
	Standard Trailer			

• **Negotiation Deal Request (Crossing)**

Tag	Field Name	Comments	Valid Value	Type
	Standard Header	MsgType = D (New Order)		
11	ClOrdID	Unique identifier of the order as assigned by institution.	Broker Reference	
109	ClientID	Used for firm identification in third-party transactions.	User ID	
1	Account	Account mnemonic as agreed between broker and institution.	A or I or S or F	See Appendix C
21	HandInst	Instructions for order handling on Broker trading floor	3	
55	Symbol	Ticker symbol	Supplied by broker	
65	SymbolSfx	Board.	ONG : Negotiation Market  Note: '0+board code' Supplied by broker. Without space	

Tag	Field Name	Comments	Valid Value	Type
48	SecurityID	<p><i>Symbol ID</i></p> <p><i>Request for list of securities number using Security Request message (see Security Request message table)</i></p> <p><i>Supplied by broker</i></p>	Security number from JATS.	
54	Side	<i>Side of order</i>	1=Buy (initiator) 2=Sell (initiator)	
64	SettlDate	<i>Settlement Date</i>	T+3 (YYYYMMDD)	
172	SettlDeliveryType	<i>Identifies type of settlement</i>	0 = 'Versus. Payment': Deliver (if Sell) or Receive (if Buy) vs. (Against) Payment 1 = 'Free': Deliver (if Sell) or Receive (if Buy) Free	
60	TransactTime	<i>Time this order request was initiated/released by the trader.</i>	yyyyMMdd-HH:mm:ss.SSS Current time	
38	OrderQty	<i>Either CashOrderQty or OrderQty is required.</i>	Order quantity  Order quantity in UNIT Advertisement quantity in share	
40	OrdType	<i>Order type.</i>	=E (Previously indicated)	
44	Price	<i>Required for limit OrdTypes. For F/X orders, should be the "all-in" rate (spot rate adjusted for forward points). Can be used to specify a limit price for a pegged order, previously indicated, etc.</i>	Price	
23	IOIId	<i>Required for Previously Indicated Orders</i>	0 (always zero for initiator)	
58	Text	<p><i>Consist of 6 fields:</i></p> <ol style="list-style-type: none"> <li><i>1. Counterpart UserID char[12],</i></li> <li><i>2. Match Reference char[10],</i></li> <li><i>3. Counterpart Account char[12],</i></li> <li><i>4. Reminder Time Interval N[4]</i></li> <li><i>5. Counterpart Broker Reference C[20]</i></li> <li><i>6. Counterpart Trading ID C[15]</i></li> </ol>	<p><i>Valid Values:</i></p> <ol style="list-style-type: none"> <li><i>1. For Field Counterpart UserID : JATS Counterpart user id. Must be the same as Tag 109: Client ID</i></li> <li><i>2. For Match Reference: spaces(10)</i></li> <li><i>3. For Field Counterpart Account: I or A or S</i></li> <li><i>4. For Field Reminder Time Interval : Number of time period (in minutes) for repeat NegDeal Reminder message</i></li> <li><i>5. Counterpart Broker Reference</i></li> <li><i>6. Counterpart Trading-ID contains 6 digit alpha numeric of SID (from 8th digit to 13th digit). SID is provided by Indonesian Central Securities Depository (KSEI)</i></li> </ol>	See Appendix C
440	ClearingAccount	<i>Clearing Account Number</i>	Set to " " (single space)	

<i>Tag</i>	<i>Field Name</i>	<i>Comments</i>	<i>Valid Value</i>	<i>Type</i>
376	ComplianceID	<i>ID used to represent this transaction for compliance Trading-ID purposes</i>	Trading-ID contains 6 digit alpha numeric of SID (from 8th digit to 13th digit). SID is provided by Indonesian Central Securities Depository (KSEI)	
	<i>Standard Trailer</i>			

- **Negotiation Deal Confirmation Request**

Tag	Field Name	Comments	Valid Value	Type
	Standard Header	MsgType = D (New Order)		
11	ClOrdID	Unique identifier of the order as assigned by institution.	Broker Reference	See Appendix C
109	ClientID	Used for firm identification in third-party transactions.	User ID	
1	Account	Account mnemonic as agreed between broker and institution.	A or I or S or F	
21	HandlInst	Instructions for order handling on Broker trading floor	3	
55	Symbol	Ticker symbol	Supplied by broker	
65	SymbolSfx	Board.	ONG : Negotiation Market  Note: '0+board code' Supplied by broker. Without space	
48	SecurityID	Symbol ID  Request for list of securities number using Security Request message (see Security Request message table)  Supplied by broker	Security number from JATS.	
54	Side	Side of order	1=Buy (confirm) 2=Sell (confirm)	
60	TransactTime	Time this order request was initiated/released by the trader.	yyyyMMdd-HH:mm:ss.SSS Current time	
38	OrderQty	Either CashOrderQty or OrderQty is required.	Order quantity  Order quantity in UNIT Advertisement quantity in share	
40	OrdType	Order type.	=E (Previously indicated)	
44	Price	Required for limit OrdTypes. For F/X orders, should be the "all-in" rate (spot rate adjusted for forward points). Can be used to specify a limit price for a pegged order, previously indicated, etc.	Price	
23	IOIId	Required for Previously Indicated Orders	Order Number to confirmed	

Tag	Field Name	Comments	Valid Value	Type
58	Text	Empty	""	See Appendix C
440	ClearingAccount	Clearing Account Number	Set to " " (single space)	
376	ComplianceID	ID used to represent this transaction for compliance Trading-ID purposes	Trading-ID contains 6 digit alpha numeric of SID (from 8th digit to 13th digit). SID is provided by Indonesian Central Securities Depository (KSEI)	
	Standard Trailer			

- **Negotiation Deal Reply OK Or Neg. Deal Confirmation OK**

Tag	Field Name	Comments	Valid Value	Type
	Standard Header	MsgType = 8 (Execution Report)		
37	OrderID	OrderID is required to be unique for each chain of orders.	JATS Deal Number	See Appendix C
11	ClOrdID	Required for executions against electronically submitted orders which were assigned an ID by the institution. Not required for orders manually entered by the broker.	Broker reference	
17	ExecID	Must be unique for each Execution Report message	JATS time stamp (hhmmsszzz) Zzz= milisecond	
20	ExecTransType	Identifies transaction type	=0 (new)	
150	ExecType	Describes the type of execution report. Same possible values as OrdStatus.	=0 (new)	
39	OrdStatus	Describes the current state of a CHAIN of orders, same scope as OrderQty, CumQty, LeavesQty, and AvgPx	=0 (new), for NegDeal Reply OK =2, for NegDeal confirm Reply OK	
55	Symbol	Ticker Symbol	Supplied by broker	
54	Side	Side of order	1=Buy (Initiator/Counterpart) 2=Sell (Initiator/Counterpart)	
64	SettlDate	Settlement Date	T+3 (YYYYMMDD)	
172	SettlDeliveryType	Identifies type of settlement	0 = 'Versus. Payment': Deliver (if Sell) or Receive (if Buy) vs. (Against) Payment 1 = 'Free': Deliver (if Sell) or Receive (if Buy) Free	
38	OrderQty	Either CashOrderQty or OrderQty is required. Not required for a rejected cash order or an order ack for a cash order.	Order quantity  Order quantity in UNIT Advertisement quantity in share	
44	Price	Required if specified on the order	Price of deal	

Tag	Field Name	Comments	Valid Value	Type
151	LeavesQty	Amount of shares open for further execution. If the OrdStatus is Canceled, DoneForTheDay, Expired, Calculated, or Rejected (in which case the order is no longer active) then LeavesQty could be 0, otherwise LeavesQty = OrderQty - CumQty.	0	See Appendix C
14	CumQty	Currently executed shares for chain of orders (matched qty)	0	
6	AvgPx	Not Applicable.	0	
21	HandlInst	Instructions for order handling on Broker trading floor	3	
→	31	LastPx	Price	
→	32	LastShares	Matched Qty	
		Neg Deal confirm flag	b	
	Standard Trailer			

- **Negotiation Deal Reply BAD Or Neg. Deal Confirmation BAD**

Tag	Field Name	Comments	Valid Value	Type
	Standard Header			
37	OrderID	OrderID is required to be unique for each chain of orders.  NoDeal No	The corresponding OrderID	See Appendix C
11	ClOrdID	Required for executions against electronically submitted orders which were assigned an ID by the institution. Not required for orders manually entered by the broker.	Broker reference	
17	ExecID	JATS time stamp	JATS time stamp (hhmmsszzz) Zzz= millisecond	
20	ExecTransType	Identifies transaction type  =0 (new)	0	
150	ExecType	Describes the type of execution report. Same possible values as OrdStatus.  =8 (rejected)	8	
39	OrdStatus	Describes the current state of a CHAIN of orders, same scope as OrderQty, CumQty, LeavesQty, and AvgPx  =8 (rejected)	8	

Tag	Field Name	Comments	Valid Value	Type
55	Symbol	Ticker Symbol  See security code. Example: "TLKM"	Security code	See Appendix C
54	Side	Side of order  1=Buy (Counterpart) 2=Sell (Initiator)	1 or 2	
151	LeavesQty	Amount of shares open for further execution. If the OrdStatus is Canceled, DoneForTheDay, Expired, Calculated, or Rejected (in which case the order is no longer active) then LeavesQty could be 0, otherwise LeavesQty = OrderQty - CumQty.	0	
14	CumQty	Currently executed shares for chain of orders.	0	
6	AvgPx	<i>Not Applicable</i>	0	
21	HandlInst	Instructions for order handling on Broker trading floor	3	
58	Text	Error Message		
31	LastPx	<i>Price</i>	0	
32	LastShares	<i>Matched Qty</i>	0	
	<i>Standard Trailer</i>			

- **MSG Reminder Negotiation Deal**

Tag	Field Name	Comments	Valid Value	Type
	<i>Standard Header</i>	MsgType = U3		
58	Text	Negdeal reminder	"Negotiated Deal no XXXXXX not confirmed"	See Appendix C
	<i>Standard Trailer</i>			

- **Negotiation Deal Confirmed Info**

Tag	Field Name	Comments	Valid Value	Type
	<i>Standard Header</i>	MsgType = 8 (Execution Report)		
37	OrderID	OrderID is required to be unique for each chain of orders.	JATS deal number	See Appendix C
11	ClOrdID	Required for executions against electronically submitted orders which were assigned an ID by the institution. Not required for orders manually entered by the broker.	Broker reference	
17	ExecID	Must be unique for each Execution Report message	JATS time stamp (hhmmsszzz) Zzz= millisecond	



Tag	Field Name	Comments	Valid Value	Type
20	ExecTransType	=0 (new)	0	See Appendix C
150	ExecType	Describes the type of execution report. Same possible values as OrdStatus.  =0 (new)	0	
39	OrdStatus	Describes the current state of a CHAIN of orders, same scope as OrderQty, CumQty, LeavesQty, and AvgPx  "1" for partially matched or "2" for fully matched	1 or 2	
55	Symbol	Ticker Symbol	See security code. Example: "TLKM"	
54	Side	Side of order Valid values: = 1 (buy) (Counterpart) = 2 (Sell) (Initiator)	1 or 2	
38	OrderQty	Either CashOrderQty or OrderQty is required. Not required for a rejected cash order or an order ack for a cash order.	Accepted deal quantity Supplied by JATS  Order quantity in UNIT Advertisement quantity in share	
44	Price	Required if specified on the order	Accepted deal price	
64	SettlDate	<i>Settlement Date</i>	T+3 (YYYYMMDD)	
172	SettlDeliveryType	<i>Identifies type of settlement</i>	0 = 'Versus. Payment': Deliver (if Sell) or Receive (if Buy) vs. (Against) Payment 1 = 'Free': Deliver (if Sell) or Receive (if Buy) Free	
40	OrderType	Order Type  E = (previously indicated)	E	
32	LastShares	Matched quantity	Matched quantity	
31	LastPx	Price	Price	
151	LeavesQty	Amount of shares open for further execution. If the OrdStatus is Canceled, DoneForTheDay, Expired, Calculated, or Rejected (in which case the order is no longer active) then LeavesQty could be 0, otherwise LeavesQty = OrderQty - CumQty.	Balance quantity  Supplied by JATS	
14	CumQty	Currently executed shares for chain of orders.	Matched quantity Supplied by JATS	
6	AvgPx	Not Applicable	0	
21	HandlInst		3	
58	Text	Text		
	<i>Standard Trailer</i>			

## 11. Negotiation Deal Amend

- Negotiation Deal Amend Request (Two Side)

Tag	Field Name	Comments	Valid Value	Type
	Standard Header	MsgType = G (Order Cancel / Replace)		
37	OrderID	Unique identifier of most recent order as assigned by broker.	JATS Deal Number	See Appendix C
109	ClientID	Used for firm identification in third-party transactions (should not be a substitute for OnBehalfOfCompID/DeliverToCompID).	User ID	
41	OrigClOrdID	ClOrdID of the previous order (NOT the initial order of the day) when canceling or replacing an order.	Supplied by Broker: It represents old broker order number (old broker ref).	
11	ClOrdID	Unique identifier of replacement order as assigned by institution. Note that this identifier will be used in ClOrdID field of the Cancel Reject message if the replacement request is rejected.	Supplied by Broker: It represents new broker order number. (broker reference)	
1	Account	Account mnemonic as agreed between broker and institution.	A or I or S or F	
21	HandlInst	Instructions for order handling on Broker trading floor	3	
55	Symbol	Must match original order	Supplied by broker	
54	Side	Must match original side, however, Buy and Buy Minus can be interchanged as well as Sell and Sell Plus  Supplied by broker. 1 = buy (Counterpart) 2 = sell (Initiator)	1 = buy (Initiator) 2 = sell (Initiator)	
60	TransactTime	Time this order request was initiated/released by the trader or trading system.  Supplied by Broker:	yyyyMMdd-HH:mm:ss.SSS	

Tag	Field Name	Comments	Valid Value	Type
38	OrderQty	Either CashOrderQty or OrderQty is required. Note that either, but not both, CashOrderQty or OrderQty should be specified. Should be the "Total Intended Order Quantity" (including the amount already executed for this chain of orders)	New deal quantity  Order quantity in UNIT Advertisement quantity in share	See Appendix C
40	OrdType	Must match original OrdType. See Order Method Table  =E (Previously indicated)	E	
44	Price	Required for limit OrdTypes. For F/X orders, should be the "all-in" rate (spot rate adjusted for forward points). Can be used to specify a limit price for a pegged order, previously indicated, etc.	New price of deal	
64	SettlDate	<i>Settlement Date</i>	T+3 (YYYYMMDD)	
172	SettlDeliveryType	<i>Identifies type of settlement</i>	0 = 'Versus. Payment': Deliver (if Sell) or Receive (if Buy) vs. (Against) Payment 1 = 'Free': Deliver (if Sell) or Receive (if Buy) Free	
58	Text	Consists of 2 fields: Counterpart User ID char[12], Reminder Time Interval N[4]	1. For Field Couterpart UserID : JATS Counterpart user id. Must be different from Tag 109: ClientID. 2. For Field Reminder Time Interval: Number of time period (in minutes) for repeat NegDeal Reminder message	
440	ClearingAccount	Clearing Account Number  Set to " " (single space)	" "	
376	ComplianceID	<i>ID used to represent this transaction for compliance Trading-ID purposes</i>	Trading-ID contains 6 digit alpha numeric of SID (from 8th digit to 13th digit). SID is provided by Indonesian Central Securities Depository (KSEI)	
	<i>Standard Trailer</i>			

- **Negotiation Deal Amend Reply OK**

Tag	Field Name	Comments	Valid Value	Type
	<i>Standard Header</i>	MsgType = 8 (Execution Report)		
37	OrderID	OrderID is required to be unique for each chain of orders. = New Deal Number	Same JATS Deal Number	See Appendix C

Tag	Field Name	Comments	Valid Value	Type
198	SecondaryOrderID	Can be used to provide order id used by exchange or executing system. = Previous Deal Number	Empty (No new Order Number is generated)	
11	ClOrdID	Required for executions against electronically submitted orders which were assigned an ID by the institution. Not required for orders manually entered by the broker.	Broker Reference	See Appendix C
17	ExecID	Must be unique for each Execution Report message	JATS time stamp (hhmmsszzz) Zzz= milisecond	
20	ExecTransType	Identifies transaction type  =2 (correct)	2	
19	ExecRefID		BrokerRef	
150	ExecType	Describes the type of execution report. Same possible values as OrdStatus.  =5 (replace)	5	
39	OrdStatus	Describes the current state of a CHAIN of orders, same scope as OrderQty, CumQty, LeavesQty, and AvgPx  =5 (replace)	5	
55	Symbol	Ticker Symbol  See security code. Example: "TLKM"	Security code	
54	Side	Side of order  Valid values: 1=Buy 2=Sell	1 Or 2	
38	OrderQty	Either CashOrderQty or OrderQty is required. Not required for a rejected cash order or an order ack for a cash order.	New Qty  Order quantity in UNIT Advertisement quantity in share	
44	Price	Required if specified on the order	Price	
64	SettlDate	<i>Settlement Date</i>	T+3 (YYYYMMDD)	
172	SettlDeliveryType	<i>Identifies type of settlement</i>	0 = 'Versus. Payment': Deliver (if Sell) or Receive (if Buy) vs. (Against) Payment 1 = 'Free': Deliver (if Sell) or Receive (if Buy) Free	

Tag	Field Name	Comments	Valid Value	Type
151	LeavesQty	Amount of shares open for further execution. If the OrdStatus is Canceled, DoneForTheDay, Expired, Calculated, or Rejected (in which case the order is no longer active) then LeavesQty could be 0	Balance qty. Supplied by JATS	
14	CumQty	Currently executed shares for chain of orders.	Matched qty	
6	AvgPx	Not Applicable.	0	
21	HandInst	Instructions for order handling on Broker trading floor	3	
31	LastPx	Price	Price	
32	LastShares	Matched Qty	New Qty	
	Standard Trailer			

- **Negotiation Deal Amend Reply BAD**

Tag	Field Name	Comments	Valid Value	Type
	Standard Header	MsgType = 9 (Cancel Reject)		See Appendix C
37	OrderID	If CxlRejReason="Unknown order", specify "NONE".	"000000000000" (no JATS deal number)	
198	SecondaryOrderID	Can be used to provide order id used by exchange or executing system. It represents old deal number	Previous JATS deal number	
11	ClOrdID	Unique order id assigned by institution to the cancel request or to the replacement order.	Broker Reference	
41	OrigClOrdID	ClOrdID which could not be canceled/replaced. ClOrdID of the previous order (NOT the initial order of the day) when canceling or replacing an order.	Set to ""	
39	OrdStatus	OrdStatus value after this cancel reject is applied.	8 = (Rejected)	
434	CxlRejResponseTo	Identifies the type of request that a Cancel Reject is in response to.	1-Order Cancel Request 2-Order Cancel/Replace Request  Valid values: 2	
58	Text	Error Message Text	Error Message	
31	LastPx	Price	0	
32	LastShares	Matched Qty	0	
	Standard Trailer			

- Negotiation Deal Amended Info

Tag	Field Name	Comments	Valid Value	Type
	Standard Header	MsgType = 8 (Execution Report)		
37	OrderID	OrderID is required to be unique for each chain of orders. = New Deal Number	New JATS Deal Number	See Appendix C
198	SecondaryOrderID	Can be used to provide order id used by exchange or executing system. = Previous Deal Number	Previous JATS Deal Number	
11	ClOrdID	Required for executions against electronically submitted orders which were assigned an ID by the institution. Not required for orders manually entered by the broker.	Broker Reference	See Appendix C
17	ExecID	Must be unique for each Execution Report message	JATS time stamp (hhmmsszzz) Zzz= milisecond	
20	ExecTransType	Identifies transaction type	=2 (correct)	
19	ExecRefID	BrokerRef	BrokerRef	
150	ExecType	Describes the type of execution report. Same possible values as OrdStatus.	=5 (replace)	
39	OrdStatus	Describes the current state of a CHAIN of orders, same scope as OrderQty, CumQty, LeavesQty, and AvgPx	=5 (replace)	
55	Symbol	Ticker Symbol	See security code. Example: "TLKM"	
54	Side	Side of order	1=Buy 2=Sell	
64	SettlDate	Settlement Date	T+3 (YYYYMMDD)	
172	SettlDeliveryType	Identifies type of settlement	0 = 'Versus. Payment': Deliver (if Sell) or Receive (if Buy) vs. (Against) Payment 1 = 'Free': Deliver (if Sell) or Receive (if Buy) Free	
38	OrderQty	Either CashOrderQty or OrderQty is required. Not required for a rejected cash order or an order ack for a cash order.	New Qty  Order quantity in UNIT Advertisement quantity in share	
44	Price	Required if specified on the order	Price	
40	OrderType	Order Type	= E (previously indicated)	
31	LastPx	Price	Price, = 0	
32	LastShares	Matched Qty	Matched Qty, = 0	
14	CumQty	Currently executed shares for chain of orders.	Qty	

<i>Tag</i>	<i>Field Name</i>	<i>Comments</i>	<i>Valid Value</i>	<i>Type</i>
6	AvgPx	<i>Not Applicable.</i>	0	
21	HandInst	<i>Instructions for order handling on Broker trading floor</i>	3	
58	Text	Text		
	<i>Standard Trailer</i>			

## 12. Cancel Neg. Deal

- Negotiation Deal Cancel Request

Tag	Field Name	Comments	Valid Value	Type
	Standard Header	MsgType = F (Order Cancel Request)		
41	OrigClOrdID	ClOrdID of the previous order (NOT the initial order of the day) when canceling or replacing an order.	Supplied by broker (old broker reference)	See Appendix C
37	OrderID	Unique identifier of most recent order as assigned by broker.	JATS Deal Number	
11	ClOrdID	Unique ID of cancel request as assigned by the institution.	Supplied by broker (broker reference)	
109	ClientID	Used for firm identification in third-party transactions (should not be a substitute for OnBehalfOfCompID/DeliverToCompID).	User ID	
55	Symbol	Ticker symbol	Supplied by broker	
54	Side	Side of order	1 = Buy 2 = Sell  Supplied by broker	
60	TransactTime	Time this order request was initiated/released by the trader or trading system.	yyyyMMdd-HH:mm:ss.SSS Supplied by broker	
38	OrderQty	=1 for withdrawing order =2 for withdrawing neg. deal	=1 for withdrawing order =2 for withdrawing neg. deal	
58	Text	User ID char[12] and Broker ID char[12].	User ID char[12] and Broker ID char[12].	
	Standard Trailer			

- Negotiation Deal Cancel Reply OK

Tag	Field Name	Comments	Valid Value	Type
	Standard Header	MsgType = 8 (Execution Report)		
37	OrderID	OrderID is required to be unique for each chain of orders.		See Appendix C
17	ExecID	Must be unique for each Execution Report message	JATS time stamp (hhmmsszzz) Zzz= milisecond	
20	ExecTransType	=1 (cancel)	1	



Tag	Field Name	Comments	Valid Value	Type
19	ExecRefID	BrokerRef	BrokerRef	
150	ExecType	Describes the type of execution report. Same possible values as OrdStatus.	=4 (cancelled)	See Appendix C
39	OrdStatus	Describes the current state of a CHAIN of orders, same scope as OrderQty, CumQty, LeavesQty, and AvgPx	=4 (cancelled)	
55	Symbol	Ticker Symbol	Set to " "	
54	Side	Set to " "	Set to " "	
151	LeavesQty	Amount of shares open for further execution. If the OrdStatus is Canceled, DoneForTheDay, Expired, Calculated, or Rejected (in which case the order is no longer active) then LeavesQty could be 0, otherwise LeavesQty = OrderQty - CumQty.	0	
14	CumQty	Currently executed shares for chain of orders.	0	
6	AvgPx	Not Applicable	0	
21	HandInst	Instructions for order handling on Broker trading floor	3	
58	Text	Cancel Status OK	Text	
31	LastPx	Price	0	
32	LastShares	Matched Qty	0	
	Standard Trailer			

- **Negotiation Deal Cancel Reply BAD**

Tag	Field Name	Comments	Valid Value	Type
	Standard Header	MsgType = 9 (Order Cancel Reject)		
37	OrderID	If CxlRejReason="Unknown order", specify "NONE".	"NONE"	See Appendix C
11	ClOrdID	Unique order id assigned by institution to the cancel request or to the replacement order.	" "	
41	OrigClOrdID	ClOrdID which could not be canceled/replaced. ClOrdID of the previous order (NOT the initial order of the day) when canceling or replacing an order.	" "	
39	OrdStatus	OrdStatus value after this cancel reject is applied.	=8 (Rejected)	

Tag	Field Name	Comments	Valid Value	Type
434	CxlRejResponseTo	Identifies the type of request that a Cancel Reject is in response to.	1 - Order Cancel Request 2 - Order Cancel/Replace Request  Valid values:1	See Appendix C
58	Text	Error Message	Text	
	Standard Trailer			

- **Negotiation Deal Canceled Info**

Tag	Field Name	Comments	Valid Value	Type
	Standard Header	MsgType = 8 (Execution Report)		
37	OrderID	OrderID is required to be unique for each chain of orders.	Cancelled no. Neg Deal	See Appendix C
17	ExecID	Must be unique for each Execution Report message	JATS time stamp (hhmmsszzz) Zzz= milisecond	
20	ExecTransType	=1 (cancel)	=1 (cancel)	
19	ExecRefID	BrokerRef	BrokerRef	
150	ExecType	Describes the type of execution report. Same possible values as OrdStatus.	=4 (cancelled)	
39	OrdStatus	Describes the current state of a CHAIN of orders, same scope as OrderQty, CumQty, LeavesQty, and AvgPx	=4 (cancelled)	
55	Symbol	Ticker Symbol	Ticker Symbol	
54	Side	1 = Buy 2 = Sell	1 = Buy 2 = Sell	
40	OrderType	Order Type	= E (previously indicated)	
31	LastPx	Price	Price, = 0	
32	LastShares	Matched Qty	Matched Qty, = 0	
151	LeavesQty	Amount of shares open for further execution. If the OrdStatus is Canceled, DoneForTheDay, Expired, Calculated, or Rejected (in which case the order is no longer active) then LeavesQty could be 0, otherwise LeavesQty = OrderQty - CumQty.	0	
14	CumQty	Currently executed shares for chain of orders.	0	
6	AvgPx	Not Applicable	0	
21	HandlInst	Instructions for order handling on Broker trading floor	3	
58	Text	Cancel Status OK	Text	
	Standard Trailer			

### 13. Trading Info

Used for JATS information distribution such as: stock suspend, user suspend, direct warning from JATS administrator to specific trader/all traders.

Tag	Field Name	Comments	Valid Value	Type
	Standard Header	MsgType = h (Trading Info)		
336	TradingSessionID	TradingSessionID	"JSX"	See Appendix C
340	TradSesStatus	1 = halt 2 = open 3 = close	1 = halt 2 = open 3 = close	
58	Text	Broadcast Message		
	Standard Trailer			

### 14. Possible Duplicate Fix Message

Used to inform brokerage firm that there is possible duplicate fix message for previous trader message request.

Tag	Field Name	Comments	Valid Value	Type
	Standard Header	MsgType = U7		
6063	Error Code	Error Code	1	See Appendix C
6064	Error Level	Error Level	1	
6065	Ref Error Code	Ref Error Code	Possible Duplicate/ Resend Message is Rejected + BrokerRef	
58	Error Message	Error Message	Fix Interpretation Error	
6066	Previous request	FIX MsgType	FIX MsgType	
	Standard Trailer			

### 15. Unknown JONEC Message

Used to inform broker's application that message which is sent to JONES via JONEC is unknown. Make sure that it is comply with the message rule.

Tag	Field Name	Comments	Valid Value	Type
	Standard Header	MsgType = U7		
6063	Error Code	Error Code	2	See Appendix C
6064	Error Level	Error Level	1	
6065	Ref Error Code	Ref Error Code	Tags value on Fix Message + BrokerRef	
58	Error Message	Unknown FIX Message	Unknown FIX Message	
6066	Previous request	Null	Null	
	Standard Trailer			

### 16. JONEC Message Interpretation Error

Warning that specific message type which already sent to JATS cannot identified tag by tag or some tag didn't follow ORI rules.

Tag	Field Name	Comments	Valid Value	Type
	Standard Header	MsgType = U7		
6063	Error Code	Error Code	3	See Appendix C
6064	Error Level	Error Level	1	
6065	Ref Error Code	"Tag 65 = ORG " = Invalid Board "Tag 48 = YY " = Invalid Security "Error at Tag XX = YY" + BrokerRef	"Tag 65 = ORG " "Tag 48 = 15000 " "Error at Tag XX = YY" + BrokerRef	
58	Error Message	FIX Msg Interpretation Error	"Invalid Board " "Invalid Security " "FIX Msg Interpretation Error "	
6066	Previous request	Previous request	Null	
	Standard Trailer			

## 17. Broadcast Table Full

Warning if JONES can not receive broadcast message from JATS because broadcast table is full

Tag	Field Name	Comments	Valid Value	Type
	Standard Header	MsgType = U7		
6063	Error Code	Error Code	3	See Appendix C
6064	Error Level	Error Level	1	
6065	Ref Error Code	Ref Error Code	"Broadcast Table Full . Brokerref: " + previous sent BrokerRef	
58	Error Message	Unknown JATS Mesg	Broadcast Table Full	
6066	Previous request	FIX MsgType	FIX MsgType	
	Standard Trailer			

## 18. JATS Interpretation Error Reply

Warning if specific reply message type from JATS to JONES cannot be divided into Fix tags.

Tag	Field Name	Comments	Valid Value	Type
	Standard Header	MsgType = U7		
6063	Error Code	5 = JATS Interpretation Error	5	See Appendix C
6064	Error Level	1 = JATS Interpretation Error	1	
6065	Ref Error Code	Ref Error Code	Broadcast Fix Message + BrokerRef	
58	Error Message	JATS Interpretation Error	"JATS Interpretation Error " "Cannot send fix BC Message to JONEC"	
6066	Previous request	FIX MsgType	FIX MsgType	
	Standard Trailer			

## 19. Failed to Send Heartbeat to JATS

Warning if JONES cannot send heartbeat to JATS for the user connection..

Tag	Field Name	Comments	Valid Value	Type
	Standard Header	MsgType = U7		
6063	Error Code	Error Code	3	See Appendix C
6064	Error Level	Error Level	1	
6065	Ref Error Code	Ref Error Code	Error Connection to JATS on User sent Heartbeat to JATS + BrokerRef	
58	Error Message	Text	Failed to send JATS	
6066	Previous request	FIX MsgType	FIX MsgType	
	Standard Trailer			

## V. Message Trailer

Each message is terminated by a standard trailer. The trailer is used to segregate messages and contains the three digit character representation of the Checksum value.

The message trailer format is as follows:

### Message Trailer

Tag	Field Name	Type	Description
10	Checksum	Char	Three byte, simple checksum (see Appendix B for description). ALWAYS THE LAST FIELD IN RECORD; i.e. serves, with the trailing <SOH>, as the end-of-record delimiter. Always defined as three characters.

Trailer example:  
The characters are:  
'10=212<SOH>'

### Example of Messages

The general format for each message, no matter what the DATA type is, should be like this:

Header	DATA	Trailer
--------	------	---------

Please note that each item/field/column in the message is separated by character ASCII <SOH> (001), so the representation of <SOH> in this document, is only for ease of use purpose. Upon implementation, the <SOH> is really a one byte ASCII character.

Here is some examples :

LOGON MESSAGE (see logon request table)

Logon message will consists of header, data, and trailer.

The data part: (please refer to data type, for this example is logon data type)

'98=2<SOH>	→ encrypt method
108=45<SOH>	→ heartbeat
95=22<SOH>	→ raw data length
96=MyUserID0001MyPassword<SOH>'	→ raw data

The trailer string:

'10=212<SOH>'	→ three bytes checksum
---------------	------------------------

The full-length format of the above logon message is:

'[Header]<SOH>98=2<SOH>108=45<SOH>95=22<SOH>96=MyUserID0001MyPassword<SOH>10=212<SOH>'

## FIX Documentations

Since the Financial Information Exchange/FIX was initiated by an organization of institutions and brokers interested in streamlining their trading processes, the specification of FIX protocol messages can be referred at their online resources at:

**<http://www.fixprotocol.org/specification/fix-42.html>**

Some of useful information in it:

- Introduction to FIX
- FIX Message Format
- FIX Field Definitions
- More detailed explanations on FIX Messages
- Business Terms
- Etc.

Appendix C

List Field Type

Tag	Field Name	Type
1	Account	C[12]
6	AvgPx	N[16]
10	CheckSum	C[3]
11	ClOrdID	C[20]
14	CumQty	N[16]
17	ExecID	N[9]
18	ExecInst	C[1]
19	ExecRefID	C[15]
20	ExecTransType	N[1]
21	HandlInst	N[1]
23	IOIID	N[12]
31	LastPx	N[16]
32	LastShares	N[16]
37	OrderID	C[12]
38	OrderQty	N[16]
39	OrdStatus	N[1]
40	OrdType	C[16]
41	OrigClOrdID	C[20]
44	Price	N[16]
48	SecurityID	C[12]
54	Side	C[1]
55	Symbol	C[21]
58	Text	C[255]
59	TimelnForce	C[1]
60	TransactTime	DATETIME
62	ValidUntilTime	C[17]
65	SymbolSfx	C[3]
98	EncryptMethod	N[1]
99	StopPx	N[16]
108	HeartBtInt	N[3]
109	ClientID	C[12]
117	QuotID	C[20]

Tag	Field Name	Type
132	BidPx	N[16]
133	OfferPx	N[16]
134	BidSize	N[16]
135	OfferSize	N[16]
150	ExecType	N[1]
150	ExecType	N[1]
151	LeavesQty	N[16]
198	SecondaryOrderID	N[12]
295	NoQuoteEntries	N[1]
297	QuoteAckStatus	C[1]
298	QuoteCancelType	N[1]
300	QuoteRejectReason	C[255]
336	TradingSessionID	C[12]
340	TradSesStatus	N[1]
376	ComplianceID	C[15]
432	ExpireDate	N[8]
434	CxlRejResponseTo	N[1]
440	ClearingAccount	C[10]
6001	UserID	C[12]
6002	CurrentPassword	C[10]
6002	Current Password	C[10]
6003	New Password	C[10]
6004	Return Value	C[255]
6063	Error Code	N[1]
6064	Error Level	N[1]
6065	Ref Error Code	C[255]
6066	Previous request	C[2]
6067	MassWithdrawRequestType	C[1]
6068	MassWithdrawResponse	C[1]
6069	MassWithdrawRejectReason	C[2]
6090	LogonReply	C[1]
6091	LogonDesc	C[255]



**-End of Document-**