

Order Routing Interface (ORI) for Equity

Technical Specifications

Version 2.1.2



IDX

Indonesia Stock Exchange

member of  **WORLD FEDERATION
OF EXCHANGES**

Indonesia Stock Exchange Building
Jl. Sudirman Kav 52-53
Jakarta 12190
INDONESIA

Phone: +62-21-5150515
Fax: +62-21-5150430

Update Summary

| NO. | VERSION | DATE | CHANGE |
|-----|---------------------|---------------------------------|---|
| 1 | 1.91 (Beta Version) | 18 th July 2008 | Updated to X-stream engine interface |
| 2 | 1.92 | 4 th December 2008 | Updated some tag and its value |
| 3 | 1.94 | 31 st March 2011 | Updated Comments and Valid value for tag 376 (Trading ID) Updated valid value for tag 58 Negotiation Deal Request (Crossing) Updated some tag and its value Add new message specification Delete message that is not currently use |
| 4 | 1.95 | 13 th September 2011 | Add Mass Order Cancel message, Liquidity Provider Order message, and Liquidity Provider Order Cancel message Updated comment and valid value tag 38 (OrderQty) and 65 (SymbolSfx) for Order Cancel Request |
| 5 | 2.0 | 7 th November 2011 | Add comment for tag 6002 (CurrentPassword) in Logon Request message Add tag 6090 (LogonReply) and tag 6091 (LogonDesc) for Logon Message Add valid value margin for tag 54 (Side) in New Order – Single (Advertisement) Message Make length field for tag 55 (Symbol) consistent for all messages Add tag 11 (BrokerRef) in value tag 6065 (RefErrorCode) for all MessageType U7 Change JONES time to JATS time for tag (17) ExecID for all messages Change comment for tag 37 (OrderID) in Negotiation Deal Reply BAD Or Neg. Deal Confirmation BAD Add Appendix C List field type |

| | | | |
|---|-------|-------------------------------|---|
| 6 | 2.1.0 | 18 th October 2017 | <ul style="list-style-type: none"> a. Update description for tag 6090 = 2. b. Update valid value tag 54 for order reply ok and new order reply bad. c. Change data type tag 11 and tag 60 d. Add board 00D (Pasar Regular Odd-Lot) e. Change valid value for tag 6090 f. Add price stabilization value for tag 54 (Side) in New Order – Single (Advertisement) Message. g. Add tag 172 and 64 for <ul style="list-style-type: none"> • Negotiation Deal Request • Negotiation Reply OK • Negotiation Deal Amend • Negotiation Deal Amend Reply OK • Negotiation Deal Confirmation Info • Negotiation Deal Amended Info h. Add Price Stabilization and Margin value for tag 54 (side) in New Order Reply Ok, New Order Reply Bad, Order Amend Request, Order Amend Reply Ok, Order Cancel Request |
| 7 | 2.1.1 | 2 nd November 2020 | <ul style="list-style-type: none"> a. Change trading hours b. Added comment on tag 37 (OrderID) “The orderID will be reset at the start of each trading day” |
| 8 | 2.1.2 | 20 th April 2021 | Changes of available Order Method (New Use) |

Table of Content

| | |
|---|-----------|
| Update Summary | 2 |
| Table of Content | 4 |
| Introduction | 6 |
| I. Information Exchange Protocol Concept | 6 |
| II. ORI Header | 7 |
| III. Administrative Messages | 8 |
| 1. LOGON | 8 |
| • Logon Request | 8 |
| • Logon Reply OK1 | 9 |
| • Logon Reply OK2 | 9 |
| • Logon Reply BAD | 9 |
| 2. Logout | 10 |
| • Logout Request | 10 |
| • Logout Reply OK | 10 |
| 3. Change Password | 10 |
| • Change Password Request | 11 |
| • Change Password Reply OK | 11 |
| • Change Password Reply BAD | 11 |
| IV. Application Messages | 12 |
| 4. New Order - Single / Advertisement | 12 |
| • New Order Request | 12 |
| • New Order Reply OK | 15 |
| • New Order Reply BAD | 16 |
| • Matched Order Reply | 17 |
| 5. Order Cancel/Replace Request (a.k.a. Order Modification Request) | 19 |
| • Order Amend Request | 19 |
| • Order Amend Reply OK | 20 |
| • Order Amend Reply BAD | 22 |
| 6. Order Cancel Request | 23 |
| • Order Cancel Request | 23 |
| • Order Cancel Reply OK | 24 |
| • Order Cancel Reply BAD | 25 |
| 7. Order Mass Cancel | 26 |
| • Order Mass Cancel Request | 26 |
| • Order Mass Cancel Reply | 27 |
| 8. Liquidity Provider Order | 28 |
| • New Liquidity provider Order Request | 28 |
| • Liquidity provider Order Reply | 29 |
| 9. Liquidity Provider Cancel Request | 29 |
| • Liquidity provider Cancel Request | 29 |
| • Liquidity provider Cancel Reply OK | 30 |
| • Liquidity provider Cancel Reply BAD | 30 |
| 10. Negotiation Deal | 32 |
| • Negotiation Deal Workflow | 32 |
| • Negotiation Deal Request (Two Side) | 33 |
| • Negotiation Deal Request (Crossing) | 34 |
| • Negotiation Deal Confirmation Request | 37 |
| • Negotiation Deal Reply OK Or Neg. Deal Confirmation OK | 38 |
| • Negotiation Deal Reply BAD Or Neg. Deal Confirmation BAD | 39 |
| • MSG Reminder Negotiation Deal | 40 |
| • Negotiation Deal Confirmed Info | 40 |
| 11. Negotiation Deal Amend | 42 |
| • Negotiation Deal Amend Request (Two Side) | 42 |

| | | |
|-------------------|------------------------------------|-----------|
| • | Negotiation Deal Amend Reply OK | 43 |
| • | Negotiation Deal Amend Reply BAD | 45 |
| • | Negotiation Deal Amended Info | 46 |
| 12. | Cancel Neg. Deal | 48 |
| • | Negotiation Deal Cancel Request | 48 |
| • | Negotiation Deal Cancel Reply OK | 48 |
| • | Negotiation Deal Cancel Reply BAD | 49 |
| • | Negotiation Deal Canceled Info | 50 |
| 13. | Trading Info | 51 |
| 14. | Possible Duplicate Fix Message | 51 |
| 15. | Unknown JONEC Message | 51 |
| 16. | JONEC Message Interpretation Error | 51 |
| 17. | Broadcast Table Full | 52 |
| 18. | JATS Interpretation Error Reply | 52 |
| 19. | Failed to Send Heartbeat to JATS | 53 |
| V. | Message Trailer | 53 |
| Appendix A | | 54 |
| | Example of Messages | 54 |
| Appendix B | | 55 |
| | FIX Documentations | 55 |

Introduction

The IDX Brokerage Server Service provides a service of receiving data, which are transactions to be transmitted from brokerage server to the IDX computer. The main purpose of the data transmission is to send automated order messages. The messages must comply to a certain specification of stock exchange information exchange protocol. This document is intended to be the specification.

The data transmission service is available every market day on trading session. On Monday until Thursday the morning trading session starts at 09:00 and ends at 11:30. The afternoon trading session starts at 13:30 and ends at 15:00. On Friday morning trading session starts at 09:00 and ends at 11:30, afternoon trading session starts at 13:30 and ends at 15:00.

I. Information Exchange Protocol Concept

This concept is developed to facilitate the electronic exchange of information related to securities transactions. It is basically adopted from the FIX (Financial Information Exchange) protocol version 4.2, and used partially for IDX purposes. It is used to communicate between exchange's trading engine and broker's brokerage information system engine. To support compatibility, TCP/IP protocol layer is used as transport protocol. Any physical medium that supports TCP/IP can be used to deliver information.

General format for each message:

| | | |
|---------------|-------------|----------------|
| Header | DATA | Trailer |
|---------------|-------------|----------------|

The general format of a FIX message is a standard header followed by the message body fields and terminated with a standard trailer. Each message is constructed of a stream of <tag>=<value> fields. Each item/field/column in the message is separated by character ASCII <SOH> (001).

Examples of the messages in their full-length format can be seen at the Appendix A of this document.

Data types are mapped to ASCII strings as follows:

- int: Sequence of digits without commas or decimals and optional sign character (ASCII characters "-" and "0" - "9"). The sign character utilizes one byte (i.e. positive int is "99999" while negative int is "-99999").
Examples: 723 in field 21 would be mapped int as |21=723|.
-723 in field 12 would be mapped int as |12=-723|
- float: Sequence of digits with optional decimal point and sign character (ASCII characters "-", "0" - "9" and "."); the absence of the decimal point within the string will be interpreted as the float representation of an integer value. All float fields must accommodate up to fifteen significant digits.
- char: Alpha-numeric free format strings, can include any character or punctuation except the delimiter. All char fields are case sensitive (i.e. **jakarta** is not the same with **Jakarta**).
- time: Time/date combination in YYYYMMDD-HH:MM:SS format, colons and dash required. Valid values: YYYY = 0000-9999, MM = 01-12, DD = 01-31, HH = 00-23, MM = 00-59, SS = 00-59.
- date: Date in YYYYMMDD format. Valid values: YYYY = 0000-9999, MM = 01-12, DD = 01-31.

The protocol assumes complete ordered delivery of messages between parties. Implementers should consider this when designing message gap fill processes. Two options exist for dealing with gaps, either request all messages subsequent to the last message received or ask for the specific message missed while maintaining an ordered list of all newer messages. For example, if the receiver misses the second of five messages, the application could ignore messages 3 through 5 and generate a resend request for messages 2 through 5. Another option would involve saving messages 3 through 5 and resending only message 2. In both cases, messages 3 through 5 should not be processed before message 2.

The protocol is based on an optimistic model; normal delivery of data is assumed (i.e. no acknowledgment of individual messages) with errors in delivery identified by message sequence number gaps. Each message is identified by a unique sequence number. It is the receiving application's responsibility to monitor incoming sequence numbers to identify message gaps for response with resend request messages.

The protocol does not support individual message acknowledgment. However, a number of application messages require explicit application level acceptance or rejection. Orders, cancel requests, cancel/replace requests and allocation require specific application level response, execution reports can be rejected with the DK message but do not require explicit acceptance.

II. ORI Header

| Tag | Field Name | Comments | Valid Value |
|-----|------------------|---|---|
| 8 | BeginString | FIX.4.2 (Always unencrypted, must be first field in message) | FIX.4.2-JSX |
| 9 | BodyLength | (Always unencrypted, must be second field in message) | Calculate by system |
| 35 | MsgType | (Always unencrypted, must be third field in message) | Depend on Msg to be sent. |
| 49 | SenderCompID | (Always unencrypted) | Sender FIX Engine ID (FIX Engine Setup) |
| 56 | TargetCompID | (Always unencrypted) | Receiver FIX Engine ID (FIX Engine Setup) |
| 34 | MsgSeqNum | (Can be embedded within encrypted data section.) | FIX Engine supplied. |
| 50 | SenderSubID | (Can be embedded within encrypted data section.) | Reserved |
| 142 | SenderLocationID | Sender's LocationID (i.e. geographic location and/or desk) (Can be embedded within encrypted data section.) | Trader IP Address supplied by Broker. |
| 52 | SendingTime | (Can be embedded within encrypted data section.) | Timestamp from FIX Engine |

III. Administrative Messages

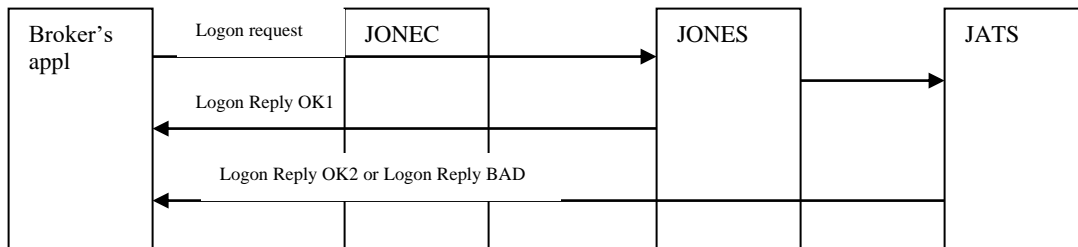
1. LOGON

Logon process flow as follow:

- 1) Broker's application sends Logon Request message to JONEC (see Logon Request's table below).
- 2) Broker's application will receive Logon Reply OK1 message from JONES via JONEC (see Logon Reply OK1's table below)
- 3) Broker's application will receive second message from JATS via JONES and JONEC with condition as follow:
 - a) If logon is succesfull, broker's application will receive Logon Reply OK2 message (see Logon Reply OK2's table below).
 - b) If logon is rejected, broker's application will receive Logon Reply BAD message (see Logon Reply BAD's table below).
- 4) Session will be disconnected.

Summary:

- Logon Reply OK will consist of two Logon messages (MsgType=A).
- Logon Reply Bad change from MsgType=A to MsgType=5.



Messages structures are as follow:

- **Logon Request**

| Tag | Field Name | Comments | Valid Value | Type |
|------|------------------|---|--------------------|----------------|
| | Standard Header | MsgType = A (Logon) | | |
| 98 | EncryptMethod | No encryption | 0 | See Appendix C |
| 108 | HeartBtInt | FIX Engine setup (seconds) Supplied by broker | 45 | |
| 6001 | UserID | ID The User logged onto the JATS | User ID | |
| 6002 | CurrentPassword | The User Current password. Password must meet complexity requirements. Must be combination of alphanumeric characters. | Supplied by broker | |
| | Standard Trailer | | | |

- **Logon Reply OK1**

| Tag | Field Name | Comments | Valid Value | Type |
|-----|------------------|----------------------------|-------------|----------------|
| | Standard Header | MsgType = A (Logon) | | |
| 98 | EncryptMethod | No encryption | 0 | See Appendix C |
| 108 | HeartBtInt | FIX Engine setup (seconds) | 45 | |
| | Standard Trailer | | | |

- **Logon Reply OK2**

| Tag | Field Name | Comments | Valid Value | Type |
|------|------------------|----------------------------------|---|----------------|
| | Standard Header | MsgType = A (Logon) | | |
| 98 | EncryptMethod | No encryption | 0 | See Appendix C |
| 108 | HeartBtInt | FIX Engine setup (seconds) | 45 | |
| 6001 | UserID | ID The User logged onto the JATS | NO | |
| 6090 | LogonReply | Is required to change Password | 1 = Do not need to change password 2 = Current password expires in n day(s) or Password-change-required (should change password before order entry) 3 = password expired. Password change required for user. user must change password first, if user doesn't change password, user will be forced logout. <i>Password must meet:</i> - complexity requirements. - combination of alphanumeric characters. - full length as specified. | |
| 6091 | LogonDesc | Logon Description | JATS Message | |
| | Standard Trailer | | | |

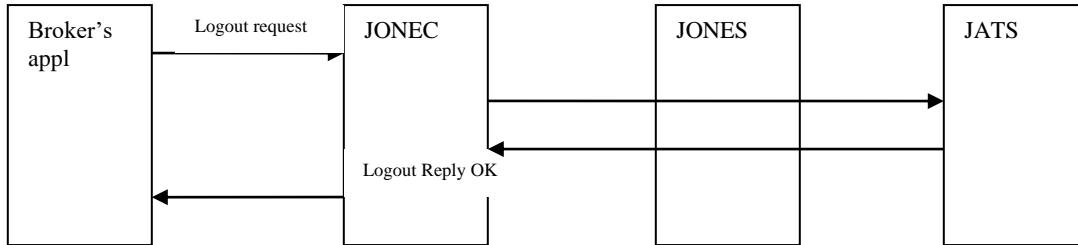
- **Logon Reply BAD**

| Tag | Field Name | Comments | Valid Value | Type |
|-----|------------------|----------------------|---------------|----------------|
| | Standard Header | MsgType = 5 (Logout) | | |
| 58 | Text | Error message | Error message | See Appendix C |
| | Standard Trailer | | | |

2. Logout

Logout Process as follow:

- 1) Broker's application sends Logout request message to JONEC (see Logout Request below). Msg Type = 5, with field Text=Userld.
- 2) Broker's application receives Logout Reply OK from JONES (see Logout Reply OK below). MsgType=5 with field Text="Confirm Logout". And session disconnected.



Note:

- Logout Reply Bad is not required.

- **Logout Request**

| Tag | Field Name | Comments | Valid Value | Type |
|-----|------------------|----------------------------------|-------------|----------------|
| | Standard Header | MsgType = 5 (Logout) | | |
| 58 | Text | ID The User logged onto the JATS | <userid> | See Appendix C |
| | Standard Trailer | | | |

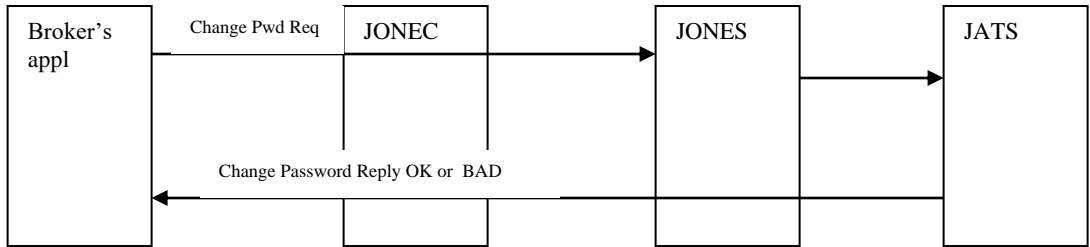
- **Logout Reply OK**

| Tag | Field Name | Comments | Valid Value | Type |
|-----|------------------|----------------------|---------------------|----------------|
| | Standard Header | MsgType = 5 (Logout) | | |
| 58 | Text | Return message | "confirming logout" | See Appendix C |
| | Standard Trailer | | | |

3. Change Password

Process flow as follow:

- 1) Broker's application sends Change Password Request to JONEC (see Change Password Request's table below)
- 2) Broker's application receives Change Password Reply OK or Change Password Reply BAD (see Change Password Reply OK's or Change Password Reply BAD's table below)



- **Change Password Request**

| Tag | Field Name | Comments | Valid Value | Type |
|------|------------------|----------------------------------|--------------------|----------------|
| | Standard Header | MsgType = U1 | | |
| 6001 | UserID | ID The User logged onto the JATS | User ID | See Appendix C |
| 6002 | Current Password | The User Current password | | |
| 6003 | New Password | The User New password | | |
| 6004 | Return Value | " " | " " (Single Space) | |
| | Standard Trailer | | | |

- **Change Password Reply OK**

| Tag | Field Name | Comments | Valid Value | Type |
|------|------------------|----------------------------------|--------------------------------------|----------------|
| | Standard Header | MsgType = U1 (Change Password) | | |
| 6001 | UserID | ID The User logged onto the JATS | " " (Single Space) | See Appendix C |
| 6002 | Current Password | The User Current password | " " (Single Space) | |
| 6003 | New Password | The User New password | " " (Single Space) | |
| 6004 | Return Value | Text | "User password successfully changed" | |
| | Standard Trailer | | | |

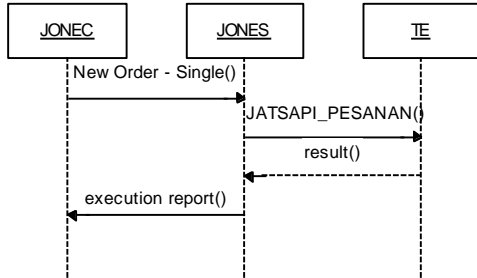
- **Change Password Reply BAD**

| Tag | Field Name | Comments | Valid Value | Type |
|------|------------------|----------------------------------|--------------------|----------------|
| | Standard Header | MsgType = U1 | | |
| 6001 | UserID | ID The User logged onto the JATS | " " (Single Space) | See Appendix C |
| 6002 | Current Password | The User Current password | " " (Single Space) | |
| 6003 | New Password | The User New password | " " (Single Space) | |
| 6004 | Return Value | Text Error message | | |
| | Standard Trailer | | | |

IV. Application Messages

The broker's application will either send both tag 65 (SymbolSfx) and tag 48 (SecurityID) or tag 65 (SymbolSfx) only for sending message because it will be rejected by the system if it is inconsistent.

4. New Order - Single / Advertisement



- **New Order Request**

| Tag | Field Name | Comments | Valid Value | Type |
|-----|-----------------|--|---|----------------|
| | Standard Header | MsgType = D (New Order – Single) | | |
| 11 | ClOrdID | Unique identifier of the order as assigned by Broker. | Broker reference | See Appendix C |
| 109 | ClientID | Used for firm identification in third-party transactions. | User ID | |
| 1 | Account | Account mnemonic as agreed between broker and institution. | A or I or S or F | |
| 21 | HandlInst | Instructions for order handling on Broker trading floor | =1 for normal order =2 for advertisement | |
| 18 | ExecInst | Order Method | See Order Method Table | |
| 55 | Symbol | Ticker symbol | Supplied by broker | |
| 65 | SymbolSfx | Board. | for normal order : ORG : Regular Market OTN : Cash Market OOD : Odd-Lot Regular Market Note: '0+board code' Supplied by broker ORG, OTN (without space). for advertisement : ONG : Negotiation Market | |
| 48 | SecurityID | Security number. Request for list of securities number using Security Request message (see Security Request message table) Supplied by broker | Security number from JATS. | |

| Tag | Field Name | Comments | Valid Value | Type |
|-----|------------------|---|---|----------------|
| 54 | Side | Indicating a buy, sell, short sell, margin order or Price Stabilization | 1 = buy 2 = sell 5 = sell short M = margin P = Price Stabilization | See Appendix C |
| 60 | TransactTime | Time this order request was initiated/released by the trader. Current time Supplied by broker. | yyyyMMdd-HH:mm:ss.SSS | |
| 38 | OrderQty | Either CashOrderQty or OrderQty is required. | Order quantity in LOT Advertisement quantity in share | |
| 40 | OrdType | 1 – Market Order 7 – Limit or Better | 1 – Market Order or 7 – Limit or Better | |
| 44 | Price | Required for limit OrdTypes. For F/X orders, should be the “all-in” rate (spot rate adjusted for forward points). Can be used to specify a limit price for a pegged order, previously indicated, etc. | Order price | |
| 99 | StopPx | Required for OrdType = “Stop” or OrdType = “Stop limit”. | Order price | |
| 59 | TimeInForce | Absence of this field indicates Day order. | See order method table 0 – Day order 3- IOC 4- FOK S – Session order | |
| 432 | ExpireDate | Conditionally required if TimeInForce = GTD and ExpireTime is not specified. | Date | |
| 58 | Text | Quantity of recurring order | Number of Hidden Quantity (future use) | |
| 440 | ClearingAccount | Clearing Account Number | Set to “ ” (single space) | |
| 376 | ComplianceID | ID used to represent this transaction for compliance Trading-ID purposes | Trading-ID contains 6 digit alpha numeric of SID (from 8th digit to 13th digit). SID is provided by Indonesian Central Securities Depository (KSEI) | |
| | Standard Trailer | | | |

Order Method Table

| No | Order Method | | | | OrdType | ExecInst | TimeInForce | Remark |
|----|--------------|----------------|-------|-------|---------|----------|-------------|----------------|
| | | | | | <40> | <18> | <59> | |
| 1 | Market | Stop Order | Split | Blank | 1 | - | - | Not Applicable |
| 2 | Market | Non-stop Order | Split | Blank | 1 | - | - | Future use |
| 3 | Market | Stop Order | Split | Day | 1 | - | 0 | Not Applicable |
| 4 | Market | Non-stop Order | Split | Day | 1 | - | 0 | New use |
| 5 | Market | Stop Order | Split | GTC | 1 | - | 1 | Not Applicable |

| No | Order Method | | | | OrdType | ExecInst | TimelnForce | Remark |
|----|--------------|----------------|-------|---------|---------|----------|-------------|----------------|
| | | | | | <40> | <18> | <59> | |
| 6 | Market | Non-stop Order | Split | GTC | 1 | - | 1 | Future use |
| 7 | Market | Stop Order | Split | IOC | 1 | - | 3 | Not Applicable |
| 8 | Market | Non-stop Order | Split | IOC | 1 | - | 3 | New use |
| 9 | Market | Stop Order | Split | FOK | 1 | - | 4 | Not Applicable |
| 10 | Market | Non-stop Order | Split | FOK | 1 | - | 4 | New use |
| 11 | Market | Stop Order | Split | GTD | 1 | - | 6 | Not Applicable |
| 12 | Market | Non-stop Order | Split | GTD | 1 | - | 6 | Future use |
| 13 | Market | Stop Order | Split | Session | 1 | - | S | Not Applicable |
| 14 | Market | Non-stop Order | Split | Session | 1 | - | S | New use |
| 15 | Market | Stop Order | AON | Blank | 1 | G | - | Not Applicable |
| 16 | Market | Non-stop Order | AON | Blank | 1 | G | - | Future use |
| 17 | Market | Stop Order | AON | Day | 1 | G | 0 | Not Applicable |
| 18 | Market | Non-stop Order | AON | Day | 1 | G | 0 | Future use |
| 19 | Market | Stop Order | AON | GTC | 1 | G | 1 | Not Applicable |
| 20 | Market | Non-stop Order | AON | GTC | 1 | G | 1 | Future use |
| 21 | Market | Stop Order | AON | IOC | 1 | G | 3 | Not Applicable |
| 22 | Market | Non-stop Order | AON | IOC | 1 | G | 3 | Future use |
| 23 | Market | Stop Order | AON | FOK | 1 | G | 4 | Not Applicable |
| 24 | Market | Non-stop Order | AON | FOK | 1 | G | 4 | Future use |
| 25 | Market | Stop Order | AON | GTD | 1 | G | 6 | Not Applicable |
| 26 | Market | Non-stop Order | AON | GTD | 1 | G | 6 | Future use |
| 27 | Market | Stop Order | AON | Session | 1 | G | S | Not Applicable |
| 28 | Market | Non-stop Order | AON | Session | 1 | G | S | Future use |
| 29 | Limit | Stop Order | Split | Blank | 4 | - | - | Future use |
| 30 | Limit | Non-stop Order | Split | Blank | 7 | - | - | Future use |
| 31 | Limit | Stop Order | Split | Day | 4 | - | 0 | Future use |
| 32 | Limit | Non-stop Order | Split | Day | 7 | - | 0 | Current use |
| 33 | Limit | Stop Order | Split | GTC | 4 | - | 1 | Future use |
| 34 | Limit | Non-stop Order | Split | GTC | 7 | - | 1 | Future use |
| 35 | Limit | Stop Order | Split | IOC | 4 | - | 3 | Future use |
| 36 | Limit | Non-stop Order | Split | IOC | 7 | - | 3 | New use |
| 37 | Limit | Stop Order | Split | FOK | 4 | - | 4 | Future use |
| 38 | Limit | Non-stop Order | Split | FOK | 7 | - | 4 | New use |
| 39 | Limit | Stop Order | Split | GTD | 4 | - | 6 | Future use |
| 40 | Limit | Non-stop Order | Split | GTD | 7 | - | 6 | Future use |
| 41 | Limit | Stop Order | Split | Session | 4 | - | S | Future use |
| 42 | Limit | Non-stop Order | Split | Session | 7 | - | S | Current use |
| 43 | Limit | Stop Order | AON | Blank | 4 | G | - | Future use |
| 44 | Limit | Non-stop Order | AON | Blank | 7 | G | - | Future use |
| 45 | Limit | Stop Order | AON | Day | 4 | G | 0 | Future use |
| 46 | Limit | Non-stop Order | AON | Day | 7 | G | 0 | Future use |
| 47 | Limit | Stop Order | AON | GTC | 4 | G | 1 | Future use |
| 48 | Limit | Non-stop Order | AON | GTC | 7 | G | 1 | Future use |
| 49 | Limit | Stop Order | AON | IOC | 4 | G | 3 | Future use |
| 50 | Limit | Non-stop Order | AON | IOC | 7 | G | 3 | Future use |
| 51 | Limit | Stop Order | AON | FOK | 4 | G | 4 | Future use |
| 52 | Limit | Non-stop Order | AON | FOK | 7 | G | 4 | Future use |
| 53 | Limit | Stop Order | AON | GTD | 4 | G | 6 | Future use |

| No | Order Method | | | | OrdType | ExecInst | TimeInForce | Remark |
|----|--------------|----------------|-----|---------|---------|----------|-------------|------------|
| | | | | | <40> | <18> | <59> | |
| 54 | Limit | Non-stop Order | AON | GTD | 7 | G | 6 | Future use |
| 55 | Limit | Stop Order | AON | Session | 4 | G | S | Future use |
| 56 | Limit | Non-stop Order | AON | Session | 7 | G | S | Future use |

- **New Order Reply OK**

| Tag | Field Name | Comments | Valid Value | Type |
|-----|-----------------|---|--|----------------|
| | Standard Header | MsgType = 8 (Execution Report) | | |
| 37 | OrderID | OrderID is required to be unique for each chain of orders. The orderID will be reset at the start of each trading day | JATS order number | See Appendix C |
| 11 | ClOrdID | Required for executions against electronically submitted orders which were assigned an ID by the institution. Not required for orders manually entered by the broker. | Broker reference | |
| 17 | ExecID | Must be unique for each Execution Report message. JATS time stamp | hhmmsszzz (zzz in millisecond) | |
| 20 | ExecTransType | Identifies transaction type | "0" = new | |
| 150 | ExecType | Describes the type of execution report. Same possible values as OrdStatus. | "0" = new | |
| 39 | OrdStatus | Describes the current state of a CHAIN of orders, same scope as OrderQty, CumQty, LeavesQty, and AvgPx | "0" = new or "1" for partially matched or "2" for fully matched | |
| 55 | Symbol | Ticker Symbol | See security code. Example: "TLKM" | |
| 54 | Side | Indicating a buy, sell, short sell, margin order or Price Stabilization | 1 = Buy 2 = Sell 5 = Sell short M = Margin P = Price Stabilization | |
| 38 | OrderQty | Either CashOrderQty or OrderQty is required. Not required for a rejected cash order or an order ack for a cash order. | Accepted order quantity in LOT Supplied by JATS Order quantity in LOT Advertisement quantity in share | |
| 44 | Price | Required if specified on the order | Accepted order price Supplied by JATS | |

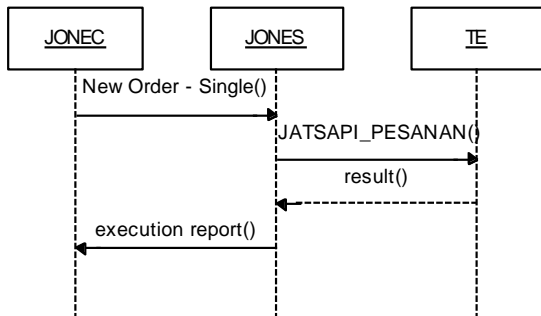
| Tag | Field Name | Comments | Valid Value | Type |
|-----|------------------|--|--------------------------------------|------|
| 151 | LeavesQty | Amount of shares open for further execution. If the OrdStatus is Canceled, DoneForTheDay, Expired, Calculated, or Rejected (in which case the order is no longer active) then LeavesQty could be 0, otherwise LeavesQty = OrderQty - CumQty. | Balance quantity Supplied by JATS | |
| 14 | CumQty | Currently executed shares for chain of orders. | Matched quantity Supplied by JATS | |
| 6 | AvgPx | Not Applicable | 0 Supplied by fix engine | |
| 21 | HandInst | 1 - normal order, or 2 - adv | 1 - normal order, or 2 - adv | |
| 31 | LastPx | Price | Price, = 0 | |
| 32 | LastShares | Matched Qty | Matched Qty, = 0 | |
| | Standard Trailer | | | |

- **New Order Reply BAD**

| Tag | Field Name | Comments | Valid Value | Type |
|-----|-----------------|---|---|----------------|
| | Standard Header | MsgType = 8 (Execution Report) | | |
| 37 | OrderID | OrderID is required to be unique for each chain of orders. | Order number = "000000000000" (no JATS order number) | See Appendix C |
| 11 | ClOrdID | Required for executions against electronically submitted orders which were assigned an ID by the institution. Not required for orders manually entered by the broker. | Broker reference | |
| 17 | ExecID | Must be unique for each Execution Report message | JATS time stamp (hhmmsszzz) Zzz= millisecond | |
| 20 | ExecTransType | Identifies transaction type | 0 = New 1 = Cancel 2 = Correct 3 = Status | |
| 150 | ExecType | Describes the type of execution report. Same possible values as OrdStatus. | =8 (rejected) | |
| 39 | OrdStatus | Describes the current state of a CHAIN of orders, same scope as OrderQty, CumQty, LeavesQty, and AvgPx | =8 (rejected) | |
| 55 | Symbol | Ticker Symbol | See security code. Example: "TLKM" | |

| | | | |
|-----|------------------|--|--|
| 54 | Side | Indicating a buy, sell, short sell, margin order or Price Stabilization | 1 = Buy 2 = Sell 5 = Sell short M = Margin P = Price Stabilization |
| 151 | LeavesQty | No LeavesQty Amount of shares open for further execution. If the OrdStatus is Canceled, DoneForTheDay, Expired, Calculated, or Rejected (in which case the order is no longer active) then LeavesQty could be 0, otherwise LeavesQty = OrderQty - CumQty. | 0 |
| 14 | CumQty | Currently executed shares for chain of orders. | =0 |
| 6 | AvgPx | Not Applicable | =0 |
| 21 | HandInst | 1 for normal order, 2 - adv | 1 or 2 |
| 58 | Text | Error Message | Error Message |
| 31 | LastPx | Price | 0 |
| 32 | LastShares | Matched Qty | 0 |
| | Standard Trailer | | |

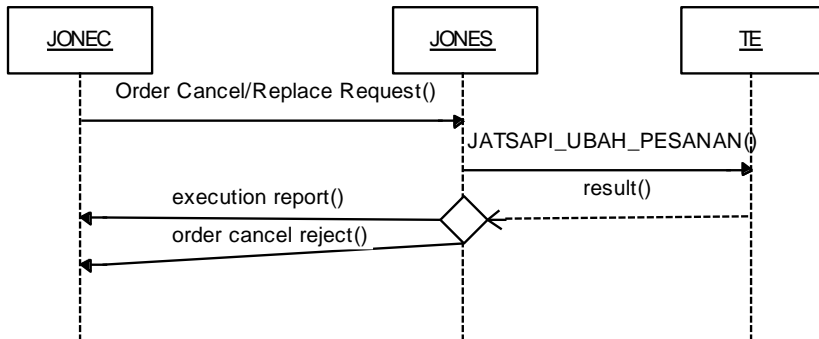
- **Matched Order Reply**



| Tag | Field Name | Req'd | Comments | Valid Value | Type |
|-----|-----------------|-------|--|-------------------|----------------|
| | Standard Header | Y | MsgType = 8 (Execution Report) | | |
| 37 | OrderID | Y | OrderID is required to be unique for each chain of orders. The orderID will be reset at the start of each trading day | JATS order number | See Appendix C |

| Tag | Field Name | Req'd | Comments | Valid Value | Type |
|-----|------------------|-------|--|---|------|
| 11 | ClOrdID | N | Required for executions against electronically submitted orders which were assigned an ID by the institution. Not required for orders manually entered by the broker. | Broker reference | |
| 17 | ExecID | Y | Must be unique for each Execution Report message | JATS time stamp (hhmmsszzz) Zzz= millisecond | |
| 20 | ExecTransType | Y | =0 (new) | 0 | |
| 150 | ExecType | Y | Describes the type of execution report. Same possible values as OrdStatus. =0 (new) | 0 | |
| 39 | OrdStatus | Y | Describes the current state of a CHAIN of orders, same scope as OrderQty, CumQty, LeavesQty, and AvgPx | "1" for partially matched or "2" for fully matched | |
| 55 | Symbol | Y | Ticker Symbol | See security code. Example: "TLKM" | |
| 54 | Side | Y | Side of order | 1 = Buy 2 = Sell 5 = Sell short M = Margin P = Price Stabilization | |
| 38 | OrderQty | N | Either CashOrderQty or OrderQty is required. Not required for a rejected cash order or an order ack for a cash order. | Accepted order quantity Supplied by JATS Order quantity in LOT Advertisement quantity in share | |
| 44 | Price | N | Required if specified on the order | Matched price | |
| 151 | LeavesQty | Y | Amount of shares open for further execution. If the OrdStatus is Canceled, DoneForTheDay, Expired, Calculated, or Rejected (in which case the order is no longer active) then LeavesQty could be 0, otherwise LeavesQty = OrderQty - CumQty. | Balance quantity Supplied by JATS | |
| 14 | CumQty | Y | Currently executed shares for chain of orders. | Matched quantity Supplied by JATS | |
| 6 | AvgPx | Y | Not Applicable | 0 | |
| 21 | HandlInst | N | 1 for normal order, 2 - adv | 1 or 2 | |
| 31 | LastPx | | Price | Price | |
| 32 | LastShares | | Matched Qty | Matched Qty | |
| | Standard Trailer | Y | | | |

5. Order Cancel/Replace Request (a.k.a. Order Modification Request)



- Order Amend Request

| Tag | Field Name | Comments | Valid Value | Type |
|-----|-----------------|---|--|----------------|
| | Standard Header | MsgType = G (Order Cancel / Replace) | | |
| 37 | OrderID | Unique identifier of most recent order as assigned by broker. | JATS order number | See Appendix C |
| 109 | ClientID | Used for firm identification in third-party transactions (should not be a substitute for OnBehalfOfCompID/DeliverToCompID). | User ID | |
| 41 | OrigClOrdID | ClOrdID of the previous order (NOT the initial order of the day) when canceling or replacing an order. | Supplied by Broker: It represents old broker order number (old broker ref). | |
| 11 | ClOrdID | Unique identifier of replacement order as assigned by institution. Note that this identifier will be used in ClOrdID field of the Cancel Reject message if the replacement request is rejected. | Supplied by Broker: It represents new broker order number (new broker ref). | |
| 1 | Account | Account mnemonic as agreed between broker and institution. | A or I or S or F | |
| 21 | HandInst | Instructions for order handling on Broker trading floor | 1 for normal order, 2 - adv | |
| 55 | Symbol | Must match original order | See security code. Example: "TLKM" Supplied by broker. | |
| 54 | Side | Must match original side, however, Buy and Buy Minus can be interchanged as well as Sell and Sell Plus | 1 = Buy 2 = Sell 5 = Sell short M = Margin P = Price Stabilization | |

| Tag | Field Name | Comments | Valid Value | Type |
|-----|------------------|---|---|----------------|
| 60 | TransactTime | Time this order request was initiated/released by the trader. | yyyyMMdd-HH:mm:ss.SSS Supplied by Broker | See Appendix C |
| 38 | OrderQty | Either CashOrderQty or OrderQty is required. Note that either, but not both, CashOrderQty or OrderQty should be specified. Should be the "Total Intended Order Quantity" (including the amount already executed for this chain of orders) | New order quantity Order quantity in LOT Advertisement quantity in share | |
| 40 | OrdType | Must match original OrdType. | See Order Method Table | |
| 44 | Price | Required for limit OrdTypes. For F/X orders, should be the "all-in" rate (spot rate adjusted for forward points). Can be used to specify a limit price for a pegged order, previously indicated, etc. | New price | |
| 59 | TimeInForce | Absence of this field indicates Day order. See Order Method Table | See Order Method Table | |
| 432 | ExpireDate | Conditionally required if TimeInForce = GTD and ExpireTime is not specified. | Expire date of Order | |
| 58 | Text | Hidden quantity | Number of Hidden Quantity (future use) | |
| 440 | ClearingAccount | Clearing Account Number | Set to " " (single space) | |
| 376 | ComplianceID | ID used to represent this transaction for compliance Trading-ID purposes | Trading-ID contains 6 digit alpha numeric of SID (from 8th digit to 13th digit). SID is provided by Indonesian Central Securities Depository (KSEI) | |
| | Standard Trailer | | | |

- **Order Amend Reply OK**

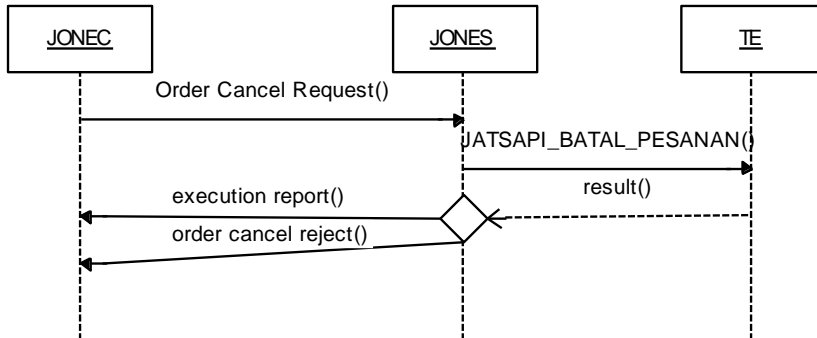
| Tag | Field Name | Comments | Valid Value | Type |
|-----|-----------------|---|---|----------------|
| | Standard Header | MsgType = 8 (Execution Report) | | |
| 37 | OrderID | OrderID is required to be unique for each chain of orders. = New ORDERNO The orderID will be reset at the start of each trading day | New JATS order number | See Appendix C |
| 11 | ClOrdID | Required for executions against electronically submitted orders which were assigned an ID by the institution. Not required for orders manually entered by the broker. | Broker Reference | |
| 17 | ExecID | Must be unique for each Execution Report message | JATS time stamp (hhmmsszzz) Zzz= millisecond | |

| Tag | Field Name | Comments | Valid Value | Type |
|-----|------------------|--|---|----------------|
| 20 | ExecTransType | Identifies transaction type | 0 = New 1 = Cancel 2 = Correct/Amend 3 = Status Valid values: 2 | |
| 19 | ExecRefID | BrokerRef | BrokerRef If tag 20 = 0 then this value is space ' ' | See Appendix C |
| 150 | ExecType | Describes the type of execution report. Same possible values as OrdStatus. | =5 (replaced/Order replacement) | |
| 39 | OrdStatus | Describes the current state of a CHAIN of orders, same scope as OrderQty, CumQty, LeavesQty, and AvgPx | =5 (replaced/Order replacement) | |
| 55 | Symbol | Ticker Symbol . | See security code. Example: "TLKM" | |
| 54 | Side | Side of order | 1 = Buy 2 = Sell 5 = Sell short M = Margin P = Price Stabilization | |
| 38 | OrderQty | Either CashOrderQty or OrderQty is required. Not required for a rejected cash order or an order ack for a cash order. | New Qty Order quantity in LOT Advertisement quantity in share | |
| 44 | Price | Required if specified on the order | Accepted order price | |
| 151 | LeavesQty | Amount of shares open for further execution. If the OrdStatus is Canceled, DoneForTheDay, Expired, Calculated, or Rejected (in which case the order is no longer active) then LeavesQty could be 0, otherwise LeavesQty = OrderQty - CumQty. | Balance qty. Supplied by JATS | |
| 14 | CumQty | Currently executed shares for chain of orders. | Matched qty. Supplied by JATS | |
| 6 | AvgPx | Not Applicable | 0 | |
| 21 | HandInst | 1 for normal order, 2 - adv | 1 for normal order, 2 - adv | |
| 31 | LastPx | Price | Price | |
| 32 | LastShares | New Qty | New Qty | |
| | Standard Trailer | | | |

- Order Amend Reply BAD

| Tag | Field Name | Comments | Valid Value | Type |
|-----|------------------|--|---|----------------|
| | Standard Header | MsgType = 9 (Cancel Reject) | | |
| 37 | OrderID | If CxlRejReason="Unknown order", specify "NONE". | Order number="000000000000" (no JATS order number) | See Appendix C |
| 11 | ClOrdID | Unique order id assigned by institution to the cancel request or to the replacement order. | Broker Reference | |
| 41 | OrigClOrdID | ClOrdID which could not be canceled/replaced. ClOrdID of the previous order (NOT the initial order of the day) when canceling or replacing an order. | Set to " " (blank) | |
| 39 | OrdStatus | OrdStatus value after this cancel reject is applied. | =8 (Rejected) | |
| 434 | CxlRejResponseTo | Identifies the type of request that a Cancel Reject is in response to. | 1 - Order Cancel Request 2 - Order Cancel/Replace Request Valid values: 2 | |
| 58 | Text | Error Message Text | Error Message | |
| | Standard Trailer | | | |

6. Order Cancel Request



- Order Cancel Request

| Tag | Field Name | Comments | Valid Value | Type |
|-----|-----------------|---|--|----------------|
| | Standard Header | MsgType = F (Order Cancel Request) | | |
| 41 | OrigClOrdID | ClOrdID of the previous order (NOT the initial order of the day) when canceling or replacing an order. | Supplied by broker. (broker old order number/old broker ref) | See Appendix C |
| 37 | OrderID | Unique identifier of most recent order as assigned by broker. | JATS order number. | |
| 11 | ClOrdID | Unique ID of cancel request as assigned by the institution. | Supplied by broker. (broker order number/broker ref) | |
| 1 | Account | Account mnemonic as agreed between broker and institution. | A or I or S or F | |
| 109 | ClientID | Used for firm identification in third-party transactions (should not be a substitute for OnBehalfOfCompID/DeliverToCompID). | User ID | |
| 55 | Symbol | Ticker symbol | Supplied by broker | |
| 65 | SymbolSfx | Board. | for normal order : ORG : Pasar Regular OTN : Pasar Tunai OOD : Pasar Regular Odd-Lot Note: '0+board code' Supplied by broker ORG, OTN (without space). for advertisement : ONG : Pasar Negosiasi | |
| 48 | SecurityID | Security number from JATS. Request for list of securities number using Security Request message | (see Security Request message table) Supplied by broker | |

| Tag | Field Name | Comments | Valid Value | Type |
|-----|------------------|---|--|----------------|
| 54 | Side | Side of order | 1 = Buy 2 = Sell 5 = Sell short M = Margin P = Price Stabilization | See Appendix C |
| 60 | TransactTime | Time this order request was initiated/released by the trading system. | yyyyMMdd HH:mm:ss.SSS Current time Supplied by broker. | |
| 38 | OrderQty | 1 for withdrawing normal order 2 for withdrawing advertisement | 1 or 2 | |
| 58 | Text | Consist of 5 fields: 1. Operation (A) char[1], 2. Price Operation Code (=) char[1], 3. Price N[10], 4. User ID char[12] 5. Broker ID char[12]. | Valid values: For field operation: A For field Price Operation Code: 2 For field Price : Order price which going to Cancel For field UserID : Owner User ID For field Broker ID: Owner Firm ID | |
| | Standard Trailer | | | |

- Order Cancel Reply OK

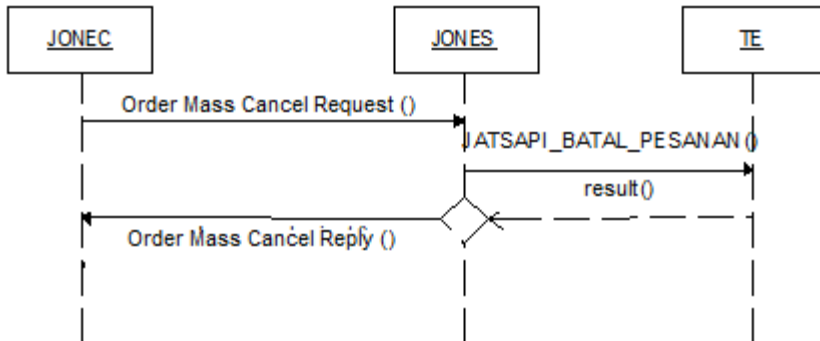
| Tag | Field Name | Comments | Valid Value | Type |
|-----|-----------------|--|---|----------------|
| | Standard Header | MsgType = 8 (Execution Report) | | |
| 37 | OrderID | OrderID is required to be unique for each chain of orders. | JATS order number which going to cancel. | See Appendix C |
| 17 | ExecID | Must be unique for each Execution Report message. | JATS time stamp (hhmmsszzz) Zzz= milisecond | |
| 20 | ExecTransType | Identifies transaction type | Valid values: 1 = Cancel | |
| 19 | ExecRefID | BrokerRef | BrokerRef If tag 20 = 0 then this value is space ' ' | |
| 150 | ExecType | Describes the type of execution report. Same possible values as OrdStatus. | =4 (cancelled) | |
| 39 | OrdStatus | Describes the current state of a CHAIN of orders, same scope as OrderQty, CumQty, LeavesQty, and AvgPx | =4 (cancelled) | |
| 55 | Symbol | Set to " " (Single space) | Set to " " (Single space) | |
| 54 | Side | Set to " " (Single space) | Set to " " (Single space) | |

| Tag | Field Name | Comments | Valid Value | Type |
|-----|------------------|--|------------------------------------|----------------|
| 151 | LeavesQty | Amount of shares open for further execution. If the OrdStatus is Canceled, DoneForTheDay, Expired, Calculated, or Rejected (in which case the order is no longer active) then LeavesQty could be 0, otherwise LeavesQty = OrderQty - CumQty. | 0 Balance qty. Supplied by JATS | See Appendix C |
| 14 | CumQty | Currently executed shares for chain of orders. | 0 Matched qty. Supplied by JATS | |
| 6 | AvgPx | Not Applicable | 0 | |
| 21 | HandInst | 1 for normal order, 2 - adv | 1 or 2 | |
| 58 | Text | Cancel Status OK | | |
| 31 | LastPx | Price | 0 | |
| 32 | LastShares | New Qty | 0 | |
| | Standard Trailer | | | |

- Order Cancel Reply BAD

| Tag | Field Name | Comments | Valid Value | Type |
|-----|------------------|--|---|----------------|
| | Standard Header | MsgType = 9 (Order Cancel Reject) | | See Appendix C |
| 37 | OrderID | If CxlRejReason="Unknown order", specify "NONE". | JATS order number which failed to cancel. | |
| 11 | ClOrdID | Unique order id assigned by institution to the cancel request or to the replacement order. | " " | |
| 41 | OrigClOrdID | ClOrdID which could not be canceled/replaced. ClOrdID of the previous order (NOT the initial order of the day) when canceling or replacing an order. | " " | |
| 39 | OrdStatus | OrdStatus value after this cancel reject is applied. | =8 (Rejected) | |
| 434 | CxlRejResponseTo | Identifies the type of request that a Cancel Reject is in response to. | 1 - Order Cancel Request 2 - Order Cancel/Replace Request Valid values: 1 | |
| 58 | Text | Error Message Text | Error Message | |
| | Standard Trailer | | | |

7. Order Mass Cancel



- Order Mass Cancel Request

| Tag | Field Name | Comments | Valid Value | Type |
|------|-------------------------|--|--|----------------|
| | Standard Header | MsgType = q1 (Order Cancel Request) | | |
| 11 | ClOrdID | Unique ID of cancel mass request as assigned by the institution. | Supplied by broker. | See Appendix C |
| 6067 | MassWithdrawRequestType | Specifies the type of cancellation requested Valid value 2, 5 and 6 are not implemented yet | 1 = Cancel orders for a security 2 = Cancel orders for an Underlying security 5 = Cancel orders for a SecurityType 6 = Cancel orders for a trading session 7 = Cancel all orders/firm 8 = Cancel particular board | |
| 55 | Symbol | Ticker symbol | Supplied by broker. | |
| 65 | SymbolSfx | Board. | for normal order : ORG : Regular Market OTN : Cash Market OOD : Odd-Lot Regular Market Note: '0+board code' Supplied by broker ORG, OTN (without space). for advertisement : ONG : Negotiation Market | |
| 48 | SecurityID | Security number. Request for list of securities number using Security Request message (see Security Request message table) Supplied by broker | Security number from JATS. | |
| 336 | TradingSessionID | Trading Session in which orders are to be canceled | (not implemented yet) | |

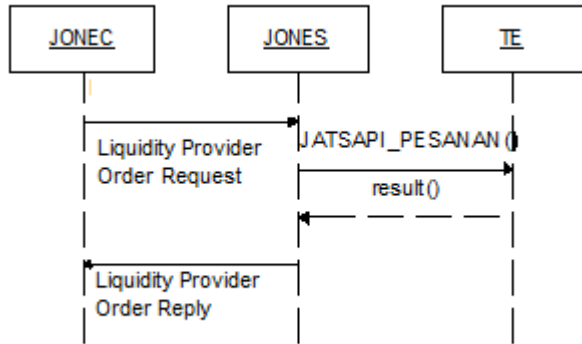
| Tag | Field Name | Comments | Valid Value | Type |
|-----|------------------|---|--|----------------|
| 54 | Side | Optional qualifier used to indicate the side of the market for which orders are to be canceled. Absence of this field indicates that orders are to be canceled regardless of side. (not implemented yet) | 1 = Buy 2 = Sell 5 = Sell short M = Margin P = Price Stabilization | See Appendix C |
| | Standard Trailer | | | |

- **Order Mass Cancel Reply**

| Tag | Field Name | Comments | Valid Value | Type |
|------|--------------------------|--|--|----------------|
| | Standard Header | MsgType = r1 (Order Mass Cancel Reply) | | |
| 11 | CIOrdID | <i>Unique ID of cancel mass request as assigned by the institution.</i> <i>In case connection is broken and broker reconnect to IDX, IDX can not provide previous CIOrdID</i> | Supplied by broker. | See Appendix C |
| 6068 | MassWithdrawResponse | Indicates the action taken by the counterparty order handling system as a result of the Cancel Request Valid value 2, 5 and 6 are not implemented yet | 1 = Cancel orders for a security 2 = Cancel orders for an Underlying security 5 = Cancel orders for a SecurityType 6 = Cancel orders for a trading session 7 = Cancel all orders/firm 8 = Cancel particular board | |
| 6069 | MassWithdrawRejectReason | Required if MassCancelResponse=0 | 0 = Mass Cancel Not Supported 1 = Invalid or unknown Security 98 = Invalid or unknown Board 99 = Other | |
| 58 | Text | | | |
| | Standard Trailer | | | |

8. Liquidity Provider Order

This order is matchable with other order, include normal order and other liquidity provider order



- **New Liquidity provider Order Request**

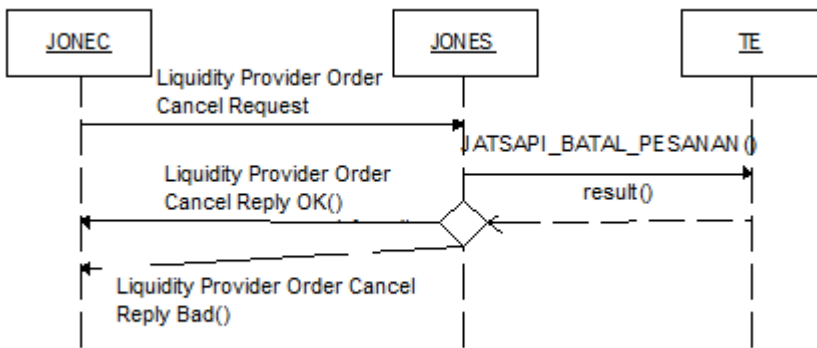
| Tag | Field Name | Comments | Valid Value | Type |
|-----|-----------------|--|--|----------------|
| | Standard Header | MsgType = S (Quote) | | |
| 117 | QuotID | Unique identifier of the order as assigned by Broker. | Broker Reference | See Appendix C |
| 1 | Account | Account mnemonic as agreed between broker and institution. | A or I or S or F | |
| 55 | Symbol | Ticker Symbol | See security code. Example: "TLKM7700ZZePWYYMMDD" TLKM: underlying securities 7700: strike price ZZ: issuer e: European style PW: Put Warrant YYMMDD: maturity date | |
| 65 | SymbolSfx | Board | ORG : Regular Market OTN : Cash Market OOD : Odd-Lot Regular Market Note: '0+board code' Supplied by broker ORG, OTN (without space). | |
| 48 | Security ID | Security number. Request for list of securities number using Security Request message (see Security Request message table) Supplied by broker | | |
| 62 | ValidUntilTime | Expiry Time (not implemented yet) | | |
| 132 | BidPx | Bid Price | | See Appendix C |
| 133 | OfferPx | Offer Price | | |
| 134 | BidSize | Bid Quantity | | |

| Tag | Field Name | Comments | Valid Value | Type |
|-----|------------------|--|---|------|
| 135 | OfferSize | Offer Quantity | | |
| 376 | ComplianceID | ID used to represent this transaction for compliance Trading-ID purposes | Trading-ID contains 6 digit alpha numeric of SID (from 8th digit to 13th digit). SID is provided by Indonesian Central Securities Depository (KSEI) | |
| | Standard Trailer | | | |

- Liquidity provider Order Reply

| Tag | Field Name | Comments | Valid Value | Type |
|-----|-------------------|---|--|----------------|
| | Standard Header | MsgType = b (lowercase) (Quote Acknowledgement) | | |
| 117 | QuoteID | Unique identifier of the order as assigned by Broker. | Broker Reference | See Appendix C |
| 297 | QuoteAckStatus | Status of the quote acknowledgement | Identifies the status of the quote acknowledgement. Valid values: 0-Accepted 5-Rejected | |
| 300 | QuoteRejectReason | Reason Quote was rejected. | Error message if quote rejected or successful | |
| | Standard Trailer | | | |

9. Liquidity Provider Cancel Request



- Liquidity provider Cancel Request

| Tag | Field Name | Comments | Valid Value | Type |
|-----|-----------------|---|---|----------------|
| | Standard Header | MsgType = Z (Quote Cancel) | | |
| 117 | QuoteID | Unique identifier of the order as assigned by Broker. | Broker Reference | See Appendix C |
| 298 | QuoteCancelType | Identifies the type of Quote Cancel request. Valid value 3 and 4 are not implemented yet | Identifies the type of quote cancel. Valid Values: 1 – Cancel for Security 3 – Cancel for Underlying Security 4 – Cancel All Quotes | |

| Tag | Field Name | Comments | Valid Value | Type |
|-----|-------------------------|--|--|--|
| 295 | NoQuoteEntries | The number of securities whose quotes are to be canceled | 1 | |
| → | 55 | Symbol | <i>Ticker Symbol</i> | See security code. Example: "TLKM7700ZZePWYYMMDD" TLKM : underlying securities 7700: strike price ZZ: issuer e: European style PW: Put Warrant YYMMDD: maturity date |
| → | 65 | SymbolSfx | <i>Board</i> | ORG : Regular Market OTN : Cash Market OOD : Odd-Lot Regular Market Note: '0+board code' Supplied by broker ORG, OTN (without space). |
| → | 48 | Security ID | <i>Security number. Request for list of securities number using Security Request message (see Security Request message table)</i> <i>Supplied by broker</i> | |
| | <i>Standard Trailer</i> | | | |

- **Liquidity provider Cancel Reply OK**

| Tag | Field Name | Comments | Valid Value | Type |
|-----|-------------------------|--|---|----------------|
| | <i>Standard Header</i> | | | |
| 117 | QuoteID | <i>Unique identifier of the order as assigned by Broker.</i> | Broker Reference | |
| 297 | QuoteAckStatus | Status of the quote acknowledgement Valid value 3 and 4 are not implemented yet | Identifies the status of the quote acknowledgement. Valid values: 1-Canceled for Symbol(s) 3-Canceled for Underlying 4-Canceled All | See Appendix C |
| | <i>Standard Trailer</i> | | | |

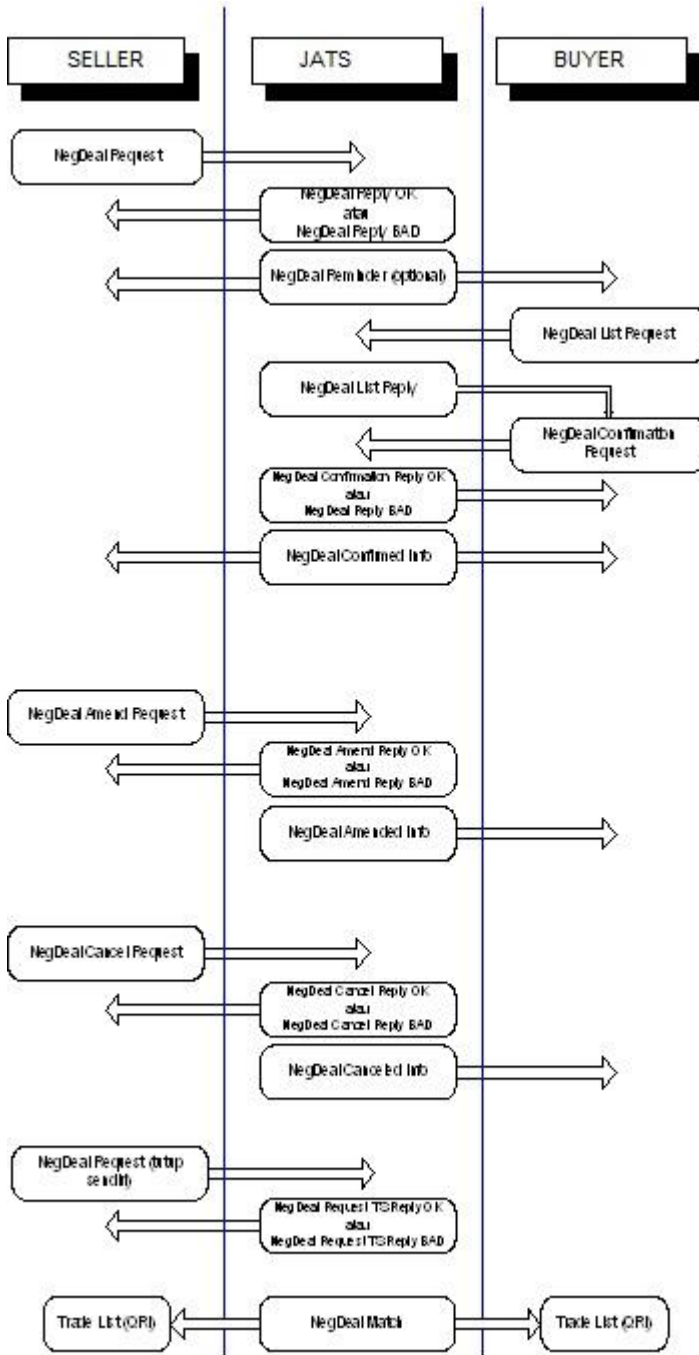
- **Liquidity provider Cancel Reply BAD**

| Tag | Field Name | Comments | Valid Value | Type |
|-----|------------------------|--|---|----------------|
| | <i>Standard Header</i> | | | |
| 117 | QuoteID | <i>Unique identifier of the order as assigned by Broker.</i> | Broker Reference | |
| 297 | QuoteAckStatus | Status of the quote acknowledgement Valid value 3 and 4 are not implemented yet | Identifies the status of the quote acknowledgement. Valid values: 1-Canceled for Symbol(s) 3-Canceled for Underlying 4-Canceled All | See Appendix C |

| | | | |
|-----|-------------------------|----------------------------|--|
| 300 | QuoteRejectReason | Reason Quote was rejected. | Valid values : 250 - if there are no orders matched with the given criteria to be withdrawn 2 - for invalid board, 313 - for invalid security |
| | <i>Standard Trailer</i> | | |

10. Negotiation Deal

- Negotiation Deal Workflow



- **Negotiation Deal Request (Two Side)**

| Tag | Field Name | Comments | Valid Value | Type |
|-----|-------------------|--|--|----------------|
| | Standard Header | MsgType = D (New Order) | | |
| 11 | ClOrdID | Unique identifier of the order as assigned by institution. | Broker Reference | See Appendix C |
| 109 | ClientID | Used for firm identification in third-party transactions. | User ID | |
| 1 | Account | Account mnemonic as agreed between broker and institution. | A or I or S or F | |
| 21 | HandInst | Instructions for order handling on Broker trading floor | 3 | |
| 55 | Symbol | Ticker symbol | Supplied by broker | |
| 65 | SymbolSfx | Board. | ONG : Negotiation Market Note: '0+board code' Supplied by broker. Without space | |
| 48 | SecurityID | Symbol ID Request for list of securities number using Security Request message (see Security Request message table) Supplied by broker | Security number from JATS. | |
| 54 | Side | Side of order | 1=Buy (initiator) 2=Sell (initiator) | |
| 64 | SettlDate | Settlement Date | T+3 (YYYYMMDD) | |
| 172 | SettlDeliveryType | Identifies type of settlement | 0 = 'Versus. Payment': Deliver (if Sell) or Receive (if Buy) vs. (Against) Payment 1 = 'Free': Deliver (if Sell) or Receive (if Buy) Free | |
| 60 | TransactTime | Time this order request was initiated/released by the trader. | yyyyMMdd-HH:mm:ss.SSS Current time | |
| 38 | OrderQty | Either CashOrderQty or OrderQty is required. | Order quantity Order quantity in UNIT Advertisement quantity in share | |
| 40 | OrdType | Order type. | =E (Previously indicated) | |

| Tag | Field Name | Comments | Valid Value | Type |
|-----|------------------|---|---|----------------|
| 44 | Price | Required for limit OrdTypes. For F/X orders, should be the "all-in" rate (spot rate adjusted for forward points). Can be used to specify a limit price for a pegged order, previously indicated, etc. | Price | |
| 23 | IOIId | Required for Previously Indicated Orders | 0 (always zero for initiator) | |
| 58 | Text | Consist of 4 fields: 1. Couterpart UserID char[12], 2. Match Reference char[10], 3. Counterpart Account char[12], 4. Reminder Time Interval N[4] | Valid Values: 1. For Field Couterpart UserID : JATS Counterpart user id. Must be different from Tag 109: ClientID. 2. For Match Reference: spaces(10) 3. For Field Counterpart Account: spaces(12) 4. For Field Reminder Time Interval : Number of time period (in minutes) for repeat NegDeal Reminder message | See Appendix C |
| 440 | ClearingAccount | Clearing Account Number | Set to " " (single space) | |
| 376 | ComplianceID | ID used to represent this transaction for compliance Trading-ID purposes | Trading-ID contains 6 digit alpha numeric of SID (from 8th digit to 13th digit). SID is provided by Indonesian Central Securities Depository (KSEI) | |
| | Standard Trailer | | | |

• **Negotiation Deal Request (Crossing)**

| Tag | Field Name | Comments | Valid Value | Type |
|-----|-----------------|--|--|----------------|
| | Standard Header | MsgType = D (New Order) | | |
| 11 | ClOrdID | Unique identifier of the order as assigned by institution. | Broker Reference | |
| 109 | ClientID | Used for firm identification in third-party transactions. | User ID | |
| 1 | Account | Account mnemonic as agreed between broker and institution. | A or I or S or F | See Appendix C |
| 21 | HandInst | Instructions for order handling on Broker trading floor | 3 | |
| 55 | Symbol | Ticker symbol | Supplied by broker | |
| 65 | SymbolSfx | Board. | ONG : Negotiation Market Note: '0+board code' Supplied by broker. Without space | |

| Tag | Field Name | Comments | Valid Value | Type |
|-----|-------------------|--|--|----------------|
| 48 | SecurityID | <p><i>Symbol ID</i></p> <p><i>Request for list of securities number using Security Request message (see Security Request message table)</i></p> <p><i>Supplied by broker</i></p> | Security number from JATS. | |
| 54 | Side | <i>Side of order</i> | 1=Buy (initiator) 2=Sell (initiator) | |
| 64 | SettlDate | <i>Settlement Date</i> | T+3 (YYYYMMDD) | |
| 172 | SettlDeliveryType | <i>Identifies type of settlement</i> | 0 = 'Versus. Payment': Deliver (if Sell) or Receive (if Buy) vs. (Against) Payment 1 = 'Free': Deliver (if Sell) or Receive (if Buy) Free | |
| 60 | TransactTime | <i>Time this order request was initiated/released by the trader.</i> | yyyyMMdd-HH:mm:ss.SSS Current time | |
| 38 | OrderQty | <i>Either CashOrderQty or OrderQty is required.</i> | Order quantity Order quantity in UNIT Advertisement quantity in share | |
| 40 | OrdType | <i>Order type.</i> | =E (Previously indicated) | |
| 44 | Price | <i>Required for limit OrdTypes. For F/X orders, should be the "all-in" rate (spot rate adjusted for forward points). Can be used to specify a limit price for a pegged order, previously indicated, etc.</i> | Price | |
| 23 | IOIId | <i>Required for Previously Indicated Orders</i> | 0 (always zero for initiator) | |
| 58 | Text | <p><i>Consist of 6 fields:</i></p> <ol style="list-style-type: none"> <i>1. Counterpart UserID char[12],</i> <i>2. Match Reference char[10],</i> <i>3. Counterpart Account char[12],</i> <i>4. Reminder Time Interval N[4]</i> <i>5. Counterpart Broker Reference C[20]</i> <i>6. Counterpart Trading ID C[15]</i> | <p><i>Valid Values:</i></p> <ol style="list-style-type: none"> <i>1. For Field Counterpart UserID : JATS Counterpart user id. Must be the same as Tag 109: Client ID</i> <i>2. For Match Reference: spaces(10)</i> <i>3. For Field Counterpart Account: I or A or S</i> <i>4. For Field Reminder Time Interval : Number of time period (in minutes) for repeat NegDeal Reminder message</i> <i>5. Counterpart Broker Reference</i> <i>6. Counterpart Trading-ID contains 6 digit alpha numeric of SID (from 8th digit to 13th digit). SID is provided by Indonesian Central Securities Depository (KSEI)</i> | See Appendix C |
| 440 | ClearingAccount | <i>Clearing Account Number</i> | Set to " " (single space) | |

| <i>Tag</i> | <i>Field Name</i> | <i>Comments</i> | <i>Valid Value</i> | <i>Type</i> |
|------------|-------------------------|---|---|-------------|
| 376 | ComplianceID | <i>ID used to represent this transaction for compliance Trading-ID purposes</i> | Trading-ID contains 6 digit alpha numeric of SID (from 8th digit to 13th digit). SID is provided by Indonesian Central Securities Depository (KSEI) | |
| | <i>Standard Trailer</i> | | | |

- **Negotiation Deal Confirmation Request**

| Tag | Field Name | Comments | Valid Value | Type |
|-----|-----------------|---|--|----------------|
| | Standard Header | MsgType = D (New Order) | | |
| 11 | ClOrdID | Unique identifier of the order as assigned by institution. | Broker Reference | See Appendix C |
| 109 | ClientID | Used for firm identification in third-party transactions. | User ID | |
| 1 | Account | Account mnemonic as agreed between broker and institution. | A or I or S or F | |
| 21 | HandlInst | Instructions for order handling on Broker trading floor | 3 | |
| 55 | Symbol | Ticker symbol | Supplied by broker | |
| 65 | SymbolSfx | Board. | ONG : Negotiation Market Note: '0+board code' Supplied by broker. Without space | |
| 48 | SecurityID | Symbol ID Request for list of securities number using Security Request message (see Security Request message table) Supplied by broker | Security number from JATS. | |
| 54 | Side | Side of order | 1=Buy (confirm) 2=Sell (confirm) | |
| 60 | TransactTime | Time this order request was initiated/released by the trader. | yyyyMMdd-HH:mm:ss.SSS Current time | |
| 38 | OrderQty | Either CashOrderQty or OrderQty is required. | Order quantity Order quantity in UNIT Advertisement quantity in share | |
| 40 | OrdType | Order type. | =E (Previously indicated) | |
| 44 | Price | Required for limit OrdTypes. For F/X orders, should be the "all-in" rate (spot rate adjusted for forward points). Can be used to specify a limit price for a pegged order, previously indicated, etc. | Price | |
| 23 | IOIId | Required for Previously Indicated Orders | Order Number to confirmed | |

| Tag | Field Name | Comments | Valid Value | Type |
|-----|------------------|--|---|----------------|
| 58 | Text | Empty | "" | See Appendix C |
| 440 | ClearingAccount | Clearing Account Number | Set to " " (single space) | |
| 376 | ComplianceID | ID used to represent this transaction for compliance Trading-ID purposes | Trading-ID contains 6 digit alpha numeric of SID (from 8th digit to 13th digit). SID is provided by Indonesian Central Securities Depository (KSEI) | |
| | Standard Trailer | | | |

- **Negotiation Deal Reply OK Or Neg. Deal Confirmation OK**

| Tag | Field Name | Comments | Valid Value | Type |
|-----|-------------------|---|--|----------------|
| | Standard Header | MsgType = 8 (Execution Report) | | |
| 37 | OrderID | OrderID is required to be unique for each chain of orders. | JATS Deal Number | See Appendix C |
| 11 | ClOrdID | Required for executions against electronically submitted orders which were assigned an ID by the institution. Not required for orders manually entered by the broker. | Broker reference | |
| 17 | ExecID | Must be unique for each Execution Report message | JATS time stamp (hhmmsszzz) Zzz= milisecond | |
| 20 | ExecTransType | Identifies transaction type | =0 (new) | |
| 150 | ExecType | Describes the type of execution report. Same possible values as OrdStatus. | =0 (new) | |
| 39 | OrdStatus | Describes the current state of a CHAIN of orders, same scope as OrderQty, CumQty, LeavesQty, and AvgPx | =0 (new), for NegDeal Reply OK =2, for NegDeal confirm Reply OK | |
| 55 | Symbol | Ticker Symbol | Supplied by broker | |
| 54 | Side | Side of order | 1=Buy (Initiator/Counterpart) 2=Sell (Initiator/Counterpart) | |
| 64 | SettlDate | Settlement Date | T+3 (YYYYMMDD) | |
| 172 | SettlDeliveryType | Identifies type of settlement | 0 = 'Versus. Payment': Deliver (if Sell) or Receive (if Buy) vs. (Against) Payment 1 = 'Free': Deliver (if Sell) or Receive (if Buy) Free | |
| 38 | OrderQty | Either CashOrderQty or OrderQty is required. Not required for a rejected cash order or an order ack for a cash order. | Order quantity Order quantity in UNIT Advertisement quantity in share | |
| 44 | Price | Required if specified on the order | Price of deal | |

| Tag | Field Name | Comments | Valid Value | Type |
|-----|------------------|--|-------------|----------------|
| 151 | LeavesQty | Amount of shares open for further execution. If the OrdStatus is Canceled, DoneForTheDay, Expired, Calculated, or Rejected (in which case the order is no longer active) then LeavesQty could be 0, otherwise LeavesQty = OrderQty - CumQty. | 0 | See Appendix C |
| 14 | CumQty | Currently executed shares for chain of orders (matched qty) | 0 | |
| 6 | AvgPx | Not Applicable. | 0 | |
| 21 | HandlInst | Instructions for order handling on Broker trading floor | 3 | |
| → | 31 | LastPx | Price | |
| → | 32 | LastShares | Matched Qty | |
| | | Neg Deal confirm flag | b | |
| | Standard Trailer | | | |

- **Negotiation Deal Reply BAD Or Neg. Deal Confirmation BAD**

| Tag | Field Name | Comments | Valid Value | Type |
|-----|-----------------|---|---|----------------|
| | Standard Header | | | |
| 37 | OrderID | OrderID is required to be unique for each chain of orders. NoDeal No | The corresponding OrderID | See Appendix C |
| 11 | ClOrdID | Required for executions against electronically submitted orders which were assigned an ID by the institution. Not required for orders manually entered by the broker. | Broker reference | |
| 17 | ExecID | JATS time stamp | JATS time stamp (hhmmsszzz) Zzz= millisecond | |
| 20 | ExecTransType | Identifies transaction type =0 (new) | 0 | |
| 150 | ExecType | Describes the type of execution report. Same possible values as OrdStatus. =8 (rejected) | 8 | |
| 39 | OrdStatus | Describes the current state of a CHAIN of orders, same scope as OrderQty, CumQty, LeavesQty, and AvgPx =8 (rejected) | 8 | |

| Tag | Field Name | Comments | Valid Value | Type |
|-----|-------------------------|--|---------------|----------------|
| 55 | Symbol | Ticker Symbol See security code. Example: "TLKM" | Security code | See Appendix C |
| 54 | Side | Side of order 1=Buy (Counterpart) 2=Sell (Initiator) | 1 or 2 | |
| 151 | LeavesQty | Amount of shares open for further execution. If the OrdStatus is Canceled, DoneForTheDay, Expired, Calculated, or Rejected (in which case the order is no longer active) then LeavesQty could be 0, otherwise LeavesQty = OrderQty - CumQty. | 0 | |
| 14 | CumQty | Currently executed shares for chain of orders. | 0 | |
| 6 | AvgPx | <i>Not Applicable</i> | 0 | |
| 21 | HandlInst | Instructions for order handling on Broker trading floor | 3 | |
| 58 | Text | Error Message | | |
| 31 | LastPx | <i>Price</i> | 0 | |
| 32 | LastShares | <i>Matched Qty</i> | 0 | |
| | <i>Standard Trailer</i> | | | |

- **MSG Reminder Negotiation Deal**

| Tag | Field Name | Comments | Valid Value | Type |
|-----|-------------------------|------------------|---|----------------|
| | <i>Standard Header</i> | MsgType = U3 | | |
| 58 | Text | Negdeal reminder | "Negotiated Deal no XXXXXX not confirmed" | See Appendix C |
| | <i>Standard Trailer</i> | | | |

- **Negotiation Deal Confirmed Info**

| Tag | Field Name | Comments | Valid Value | Type |
|-----|------------------------|---|---|----------------|
| | <i>Standard Header</i> | MsgType = 8 (Execution Report) | | |
| 37 | OrderID | OrderID is required to be unique for each chain of orders. | JATS deal number | See Appendix C |
| 11 | ClOrdID | Required for executions against electronically submitted orders which were assigned an ID by the institution. Not required for orders manually entered by the broker. | Broker reference | |
| 17 | ExecID | Must be unique for each Execution Report message | JATS time stamp (hhmmsszzz) Zzz= millisecond | |

| Tag | Field Name | Comments | Valid Value | Type |
|-----|-------------------------|--|--|----------------|
| 20 | ExecTransType | =0 (new) | 0 | See Appendix C |
| 150 | ExecType | Describes the type of execution report. Same possible values as OrdStatus. =0 (new) | 0 | |
| 39 | OrdStatus | Describes the current state of a CHAIN of orders, same scope as OrderQty, CumQty, LeavesQty, and AvgPx "1" for partially matched or "2" for fully matched | 1 or 2 | |
| 55 | Symbol | Ticker Symbol | See security code. Example: "TLKM" | |
| 54 | Side | Side of order Valid values: = 1 (buy) (Counterpart) = 2 (Sell) (Initiator) | 1 or 2 | |
| 38 | OrderQty | Either CashOrderQty or OrderQty is required. Not required for a rejected cash order or an order ack for a cash order. | Accepted deal quantity Supplied by JATS Order quantity in UNIT Advertisement quantity in share | |
| 44 | Price | Required if specified on the order | Accepted deal price | |
| 64 | SettlDate | <i>Settlement Date</i> | T+3 (YYYYMMDD) | |
| 172 | SettlDeliveryType | <i>Identifies type of settlement</i> | 0 = 'Versus. Payment': Deliver (if Sell) or Receive (if Buy) vs. (Against) Payment 1 = 'Free': Deliver (if Sell) or Receive (if Buy) Free | |
| 40 | OrderType | Order Type E = (previously indicated) | E | |
| 32 | LastShares | Matched quantity | Matched quantity | |
| 31 | LastPx | Price | Price | |
| 151 | LeavesQty | Amount of shares open for further execution. If the OrdStatus is Canceled, DoneForTheDay, Expired, Calculated, or Rejected (in which case the order is no longer active) then LeavesQty could be 0, otherwise LeavesQty = OrderQty - CumQty. | Balance quantity Supplied by JATS | |
| 14 | CumQty | Currently executed shares for chain of orders. | Matched quantity Supplied by JATS | |
| 6 | AvgPx | Not Applicable | 0 | |
| 21 | HandlInst | | 3 | |
| 58 | Text | Text | | |
| | <i>Standard Trailer</i> | | | |

11. Negotiation Deal Amend

- Negotiation Deal Amend Request (Two Side)

| Tag | Field Name | Comments | Valid Value | Type |
|-----|-----------------|---|--|----------------|
| | Standard Header | MsgType = G (Order Cancel / Replace) | | |
| 37 | OrderID | Unique identifier of most recent order as assigned by broker. | JATS Deal Number | See Appendix C |
| 109 | ClientID | Used for firm identification in third-party transactions (should not be a substitute for OnBehalfOfCompID/DeliverToCompID). | User ID | |
| 41 | OrigClOrdID | ClOrdID of the previous order (NOT the initial order of the day) when canceling or replacing an order. | Supplied by Broker: It represents old broker order number (old broker ref). | |
| 11 | ClOrdID | Unique identifier of replacement order as assigned by institution. Note that this identifier will be used in ClOrdID field of the Cancel Reject message if the replacement request is rejected. | Supplied by Broker: It represents new broker order number. (broker reference) | |
| 1 | Account | Account mnemonic as agreed between broker and institution. | A or I or S or F | |
| 21 | HandlInst | Instructions for order handling on Broker trading floor | 3 | |
| 55 | Symbol | Must match original order | Supplied by broker | |
| 54 | Side | Must match original side, however, Buy and Buy Minus can be interchanged as well as Sell and Sell Plus Supplied by broker. 1 = buy (Counterpart) 2 = sell (Initiator) | 1 = buy (Initiator) 2 = sell (Initiator) | |
| 60 | TransactTime | Time this order request was initiated/released by the trader or trading system. Supplied by Broker: | yyyyMMdd-HH:mm:ss.SSS | |

| Tag | Field Name | Comments | Valid Value | Type |
|-----|-------------------------|---|---|----------------|
| 38 | OrderQty | Either CashOrderQty or OrderQty is required. Note that either, but not both, CashOrderQty or OrderQty should be specified. Should be the "Total Intended Order Quantity" (including the amount already executed for this chain of orders) | New deal quantity Order quantity in UNIT Advertisement quantity in share | See Appendix C |
| 40 | OrdType | Must match original OrdType. See Order Method Table =E (Previously indicated) | E | |
| 44 | Price | Required for limit OrdTypes. For F/X orders, should be the "all-in" rate (spot rate adjusted for forward points). Can be used to specify a limit price for a pegged order, previously indicated, etc. | New price of deal | |
| 64 | SettlDate | <i>Settlement Date</i> | T+3 (YYYYMMDD) | |
| 172 | SettlDeliveryType | <i>Identifies type of settlement</i> | 0 = 'Versus. Payment': Deliver (if Sell) or Receive (if Buy) vs. (Against) Payment 1 = 'Free': Deliver (if Sell) or Receive (if Buy) Free | |
| 58 | Text | Consists of 2 fields: Counterpart User ID char[12], Reminder Time Interval N[4] | 1. For Field Couterpart UserID : JATS Counterpart user id. Must be different from Tag 109: ClientID. 2. For Field Reminder Time Interval: Number of time period (in minutes) for repeat NegDeal Reminder message | |
| 440 | ClearingAccount | Clearing Account Number Set to " " (single space) | " " | |
| 376 | ComplianceID | <i>ID used to represent this transaction for compliance Trading-ID purposes</i> | Trading-ID contains 6 digit alpha numeric of SID (from 8th digit to 13th digit). SID is provided by Indonesian Central Securities Depository (KSEI) | |
| | <i>Standard Trailer</i> | | | |

- **Negotiation Deal Amend Reply OK**

| Tag | Field Name | Comments | Valid Value | Type |
|-----|------------------------|--|-----------------------|----------------|
| | <i>Standard Header</i> | MsgType = 8 (Execution Report) | | |
| 37 | OrderID | OrderID is required to be unique for each chain of orders. = New Deal Number | Same JATS Deal Number | See Appendix C |

| Tag | Field Name | Comments | Valid Value | Type |
|-----|-------------------|---|--|----------------|
| 198 | SecondaryOrderID | Can be used to provide order id used by exchange or executing system. = Previous Deal Number | Empty (No new Order Number is generated) | |
| 11 | ClOrdID | Required for executions against electronically submitted orders which were assigned an ID by the institution. Not required for orders manually entered by the broker. | Broker Reference | See Appendix C |
| 17 | ExecID | Must be unique for each Execution Report message | JATS time stamp (hhmmsszzz) Zzz= milisecond | |
| 20 | ExecTransType | Identifies transaction type =2 (correct) | 2 | |
| 19 | ExecRefID | | BrokerRef | |
| 150 | ExecType | Describes the type of execution report. Same possible values as OrdStatus. =5 (replace) | 5 | |
| 39 | OrdStatus | Describes the current state of a CHAIN of orders, same scope as OrderQty, CumQty, LeavesQty, and AvgPx =5 (replace) | 5 | |
| 55 | Symbol | Ticker Symbol See security code. Example: "TLKM" | Security code | |
| 54 | Side | Side of order Valid values: 1=Buy 2=Sell | 1 Or 2 | |
| 38 | OrderQty | Either CashOrderQty or OrderQty is required. Not required for a rejected cash order or an order ack for a cash order. | New Qty Order quantity in UNIT Advertisement quantity in share | |
| 44 | Price | Required if specified on the order | Price | |
| 64 | SettlDate | <i>Settlement Date</i> | T+3 (YYYYMMDD) | |
| 172 | SettlDeliveryType | <i>Identifies type of settlement</i> | 0 = 'Versus. Payment': Deliver (if Sell) or Receive (if Buy) vs. (Against) Payment 1 = 'Free': Deliver (if Sell) or Receive (if Buy) Free | |

| Tag | Field Name | Comments | Valid Value | Type |
|-----|------------------|--|----------------------------------|------|
| 151 | LeavesQty | Amount of shares open for further execution. If the OrdStatus is Canceled, DoneForTheDay, Expired, Calculated, or Rejected (in which case the order is no longer active) then LeavesQty could be 0 | Balance qty. Supplied by JATS | |
| 14 | CumQty | Currently executed shares for chain of orders. | Matched qty | |
| 6 | AvgPx | Not Applicable. | 0 | |
| 21 | HandInst | Instructions for order handling on Broker trading floor | 3 | |
| 31 | LastPx | Price | Price | |
| 32 | LastShares | Matched Qty | New Qty | |
| | Standard Trailer | | | |

- **Negotiation Deal Amend Reply BAD**

| Tag | Field Name | Comments | Valid Value | Type |
|-----|------------------|--|---|----------------|
| | Standard Header | MsgType = 9 (Cancel Reject) | | See Appendix C |
| 37 | OrderID | If CxlRejReason="Unknown order", specify "NONE". | "000000000000" (no JATS deal number) | |
| 198 | SecondaryOrderID | Can be used to provide order id used by exchange or executing system. It represents old deal number | Previous JATS deal number | |
| 11 | ClOrdID | Unique order id assigned by institution to the cancel request or to the replacement order. | Broker Reference | |
| 41 | OrigClOrdID | ClOrdID which could not be canceled/replaced. ClOrdID of the previous order (NOT the initial order of the day) when canceling or replacing an order. | Set to "" | |
| 39 | OrdStatus | OrdStatus value after this cancel reject is applied. | 8 = (Rejected) | |
| 434 | CxlRejResponseTo | Identifies the type of request that a Cancel Reject is in response to. | 1-Order Cancel Request 2-Order Cancel/Replace Request Valid values: 2 | |
| 58 | Text | Error Message Text | Error Message | |
| 31 | LastPx | Price | 0 | |
| 32 | LastShares | Matched Qty | 0 | |
| | Standard Trailer | | | |

- Negotiation Deal Amended Info

| Tag | Field Name | Comments | Valid Value | Type |
|-----|-------------------|---|--|----------------|
| | Standard Header | MsgType = 8 (Execution Report) | | |
| 37 | OrderID | OrderID is required to be unique for each chain of orders. = New Deal Number | New JATS Deal Number | See Appendix C |
| 198 | SecondaryOrderID | Can be used to provide order id used by exchange or executing system. = Previous Deal Number | Previous JATS Deal Number | |
| 11 | ClOrdID | Required for executions against electronically submitted orders which were assigned an ID by the institution. Not required for orders manually entered by the broker. | Broker Reference | See Appendix C |
| 17 | ExecID | Must be unique for each Execution Report message | JATS time stamp (hhmmsszzz) Zzz= milisecond | |
| 20 | ExecTransType | Identifies transaction type | =2 (correct) | |
| 19 | ExecRefID | BrokerRef | BrokerRef | |
| 150 | ExecType | Describes the type of execution report. Same possible values as OrdStatus. | =5 (replace) | |
| 39 | OrdStatus | Describes the current state of a CHAIN of orders, same scope as OrderQty, CumQty, LeavesQty, and AvgPx | =5 (replace) | |
| 55 | Symbol | Ticker Symbol | See security code. Example: "TLKM" | |
| 54 | Side | Side of order | 1=Buy 2=Sell | |
| 64 | SettlDate | Settlement Date | T+3 (YYYYMMDD) | |
| 172 | SettlDeliveryType | Identifies type of settlement | 0 = 'Versus. Payment': Deliver (if Sell) or Receive (if Buy) vs. (Against) Payment 1 = 'Free': Deliver (if Sell) or Receive (if Buy) Free | |
| 38 | OrderQty | Either CashOrderQty or OrderQty is required. Not required for a rejected cash order or an order ack for a cash order. | New Qty Order quantity in UNIT Advertisement quantity in share | |
| 44 | Price | Required if specified on the order | Price | |
| 40 | OrderType | Order Type | = E (previously indicated) | |
| 31 | LastPx | Price | Price, = 0 | |
| 32 | LastShares | Matched Qty | Matched Qty, = 0 | |
| 14 | CumQty | Currently executed shares for chain of orders. | Qty | |

| <i>Tag</i> | <i>Field Name</i> | <i>Comments</i> | <i>Valid Value</i> | <i>Type</i> |
|------------|-------------------------|--|--------------------|-------------|
| 6 | AvgPx | <i>Not Applicable.</i> | 0 | |
| 21 | HandInst | <i>Instructions for order handling on Broker trading floor</i> | 3 | |
| 58 | Text | Text | | |
| | <i>Standard Trailer</i> | | | |

12. Cancel Neg. Deal

- Negotiation Deal Cancel Request

| Tag | Field Name | Comments | Valid Value | Type |
|-----|------------------|---|--|----------------|
| | Standard Header | MsgType = F (Order Cancel Request) | | |
| 41 | OrigClOrdID | ClOrdID of the previous order (NOT the initial order of the day) when canceling or replacing an order. | Supplied by broker (old broker reference) | See Appendix C |
| 37 | OrderID | Unique identifier of most recent order as assigned by broker. | JATS Deal Number | |
| 11 | ClOrdID | Unique ID of cancel request as assigned by the institution. | Supplied by broker (broker reference) | |
| 109 | ClientID | Used for firm identification in third-party transactions (should not be a substitute for OnBehalfOfCompID/DeliverToCompID). | User ID | |
| 55 | Symbol | Ticker symbol | Supplied by broker | |
| 54 | Side | Side of order | 1 = Buy 2 = Sell Supplied by broker | |
| 60 | TransactTime | Time this order request was initiated/released by the trader or trading system. | yyyyMMdd-HH:mm:ss.SSS Supplied by broker | |
| 38 | OrderQty | =1 for withdrawing order =2 for withdrawing neg. deal | =1 for withdrawing order =2 for withdrawing neg. deal | |
| 58 | Text | User ID char[12] and Broker ID char[12]. | User ID char[12] and Broker ID char[12]. | |
| | Standard Trailer | | | |

- Negotiation Deal Cancel Reply OK

| Tag | Field Name | Comments | Valid Value | Type |
|-----|-----------------|--|--|----------------|
| | Standard Header | MsgType = 8 (Execution Report) | | |
| 37 | OrderID | OrderID is required to be unique for each chain of orders. | | See Appendix C |
| 17 | ExecID | Must be unique for each Execution Report message | JATS time stamp (hhmmsszzz) Zzz= milisecond | |
| 20 | ExecTransType | =1 (cancel) | 1 | |

| Tag | Field Name | Comments | Valid Value | Type |
|-----|------------------|--|----------------|----------------|
| 19 | ExecRefID | BrokerRef | BrokerRef | |
| 150 | ExecType | Describes the type of execution report. Same possible values as OrdStatus. | =4 (cancelled) | See Appendix C |
| 39 | OrdStatus | Describes the current state of a CHAIN of orders, same scope as OrderQty, CumQty, LeavesQty, and AvgPx | =4 (cancelled) | |
| 55 | Symbol | Ticker Symbol | Set to " " | |
| 54 | Side | Set to " " | Set to " " | |
| 151 | LeavesQty | Amount of shares open for further execution. If the OrdStatus is Canceled, DoneForTheDay, Expired, Calculated, or Rejected (in which case the order is no longer active) then LeavesQty could be 0, otherwise LeavesQty = OrderQty - CumQty. | 0 | |
| 14 | CumQty | Currently executed shares for chain of orders. | 0 | |
| 6 | AvgPx | Not Applicable | 0 | |
| 21 | HandInst | Instructions for order handling on Broker trading floor | 3 | |
| 58 | Text | Cancel Status OK | Text | |
| 31 | LastPx | Price | 0 | |
| 32 | LastShares | Matched Qty | 0 | |
| | Standard Trailer | | | |

- **Negotiation Deal Cancel Reply BAD**

| Tag | Field Name | Comments | Valid Value | Type |
|-----|-----------------|--|---------------|----------------|
| | Standard Header | MsgType = 9 (Order Cancel Reject) | | |
| 37 | OrderID | If CxlRejReason="Unknown order", specify "NONE". | "NONE" | See Appendix C |
| 11 | ClOrdID | Unique order id assigned by institution to the cancel request or to the replacement order. | " " | |
| 41 | OrigClOrdID | ClOrdID which could not be canceled/replaced. ClOrdID of the previous order (NOT the initial order of the day) when canceling or replacing an order. | " " | |
| 39 | OrdStatus | OrdStatus value after this cancel reject is applied. | =8 (Rejected) | |

| Tag | Field Name | Comments | Valid Value | Type |
|-----|------------------|--|--|----------------|
| 434 | CxlRejResponseTo | Identifies the type of request that a Cancel Reject is in response to. | 1 - Order Cancel Request 2 - Order Cancel/Replace Request Valid values:1 | See Appendix C |
| 58 | Text | Error Message | Text | |
| | Standard Trailer | | | |

- **Negotiation Deal Canceled Info**

| Tag | Field Name | Comments | Valid Value | Type |
|-----|------------------|--|--|----------------|
| | Standard Header | MsgType = 8 (Execution Report) | | |
| 37 | OrderID | OrderID is required to be unique for each chain of orders. | Cancelled no. Neg Deal | See Appendix C |
| 17 | ExecID | Must be unique for each Execution Report message | JATS time stamp (hhmmsszzz) Zzz= milisecond | |
| 20 | ExecTransType | =1 (cancel) | =1 (cancel) | |
| 19 | ExecRefID | BrokerRef | BrokerRef | |
| 150 | ExecType | Describes the type of execution report. Same possible values as OrdStatus. | =4 (cancelled) | |
| 39 | OrdStatus | Describes the current state of a CHAIN of orders, same scope as OrderQty, CumQty, LeavesQty, and AvgPx | =4 (cancelled) | |
| 55 | Symbol | Ticker Symbol | Ticker Symbol | |
| 54 | Side | 1 = Buy 2 = Sell | 1 = Buy 2 = Sell | |
| 40 | OrderType | Order Type | = E (previously indicated) | |
| 31 | LastPx | Price | Price, = 0 | |
| 32 | LastShares | Matched Qty | Matched Qty, = 0 | |
| 151 | LeavesQty | Amount of shares open for further execution. If the OrdStatus is Canceled, DoneForTheDay, Expired, Calculated, or Rejected (in which case the order is no longer active) then LeavesQty could be 0, otherwise LeavesQty = OrderQty - CumQty. | 0 | |
| 14 | CumQty | Currently executed shares for chain of orders. | 0 | |
| 6 | AvgPx | Not Applicable | 0 | |
| 21 | HandlInst | Instructions for order handling on Broker trading floor | 3 | |
| 58 | Text | Cancel Status OK | Text | |
| | Standard Trailer | | | |

13. Trading Info

Used for JATS information distribution such as: stock suspend, user suspend, direct warning from JATS administrator to specific trader/all traders.

| Tag | Field Name | Comments | Valid Value | Type |
|-----|------------------|-----------------------------------|-----------------------------------|----------------|
| | Standard Header | MsgType = h (Trading Info) | | |
| 336 | TradingSessionID | TradingSessionID | "JSX" | See Appendix C |
| 340 | TradSesStatus | 1 = halt 2 = open 3 = close | 1 = halt 2 = open 3 = close | |
| 58 | Text | Broadcast Message | | |
| | Standard Trailer | | | |

14. Possible Duplicate Fix Message

Used to inform brokerage firm that there is possible duplicate fix message for previous trader message request.

| Tag | Field Name | Comments | Valid Value | Type |
|------|------------------|----------------|--|----------------|
| | Standard Header | MsgType = U7 | | |
| 6063 | Error Code | Error Code | 1 | See Appendix C |
| 6064 | Error Level | Error Level | 1 | |
| 6065 | Ref Error Code | Ref Error Code | Possible Duplicate/ Resend Message is Rejected + BrokerRef | |
| 58 | Error Message | Error Message | Fix Interpretation Error | |
| 6066 | Previous request | FIX MsgType | FIX MsgType | |
| | Standard Trailer | | | |

15. Unknown JONEC Message

Used to inform broker's application that message which is sent to JONES via JONEC is unknown. Make sure that it is comply with the message rule.

| Tag | Field Name | Comments | Valid Value | Type |
|------|------------------|---------------------|---------------------------------------|----------------|
| | Standard Header | MsgType = U7 | | |
| 6063 | Error Code | Error Code | 2 | See Appendix C |
| 6064 | Error Level | Error Level | 1 | |
| 6065 | Ref Error Code | Ref Error Code | Tags value on Fix Message + BrokerRef | |
| 58 | Error Message | Unknown FIX Message | Unknown FIX Message | |
| 6066 | Previous request | Null | Null | |
| | Standard Trailer | | | |

16. JONEC Message Interpretation Error

Warning that specific message type which already sent to JATS cannot identified tag by tag or some tag didn't follow ORI rules.

| Tag | Field Name | Comments | Valid Value | Type |
|------|------------------|---|---|----------------|
| | Standard Header | MsgType = U7 | | |
| 6063 | Error Code | Error Code | 3 | See Appendix C |
| 6064 | Error Level | Error Level | 1 | |
| 6065 | Ref Error Code | "Tag 65 = ORG " = Invalid Board "Tag 48 = YY " = Invalid Security "Error at Tag XX = YY" + BrokerRef | "Tag 65 = ORG " "Tag 48 = 15000 " "Error at Tag XX = YY" + BrokerRef | |
| 58 | Error Message | FIX Msg Interpretation Error | "Invalid Board " "Invalid Security " "FIX Msg Interpretation Error " | |
| 6066 | Previous request | Previous request | Null | |
| | Standard Trailer | | | |

17. Broadcast Table Full

Warning if JONES can not receive broadcast message from JATS because broadcast table is full

| Tag | Field Name | Comments | Valid Value | Type |
|------|------------------|-------------------|--|----------------|
| | Standard Header | MsgType = U7 | | |
| 6063 | Error Code | Error Code | 3 | See Appendix C |
| 6064 | Error Level | Error Level | 1 | |
| 6065 | Ref Error Code | Ref Error Code | "Broadcast Table Full . Brokerref: " + previous sent BrokerRef | |
| 58 | Error Message | Unknown JATS Mesg | Broadcast Table Full | |
| 6066 | Previous request | FIX MsgType | FIX MsgType | |
| | Standard Trailer | | | |

18. JATS Interpretation Error Reply

Warning if specific reply message type from JATS to JONES cannot be divided into Fix tags.

| Tag | Field Name | Comments | Valid Value | Type |
|------|------------------|-------------------------------|---|----------------|
| | Standard Header | MsgType = U7 | | |
| 6063 | Error Code | 5 = JATS Interpretation Error | 5 | See Appendix C |
| 6064 | Error Level | 1 = JATS Interpretation Error | 1 | |
| 6065 | Ref Error Code | Ref Error Code | Broadcast Fix Message + BrokerRef | |
| 58 | Error Message | JATS Interpretation Error | "JATS Interpretation Error " "Cannot send fix BC Message to JONEC" | |
| 6066 | Previous request | FIX MsgType | FIX MsgType | |
| | Standard Trailer | | | |

19. Failed to Send Heartbeat to JATS

Warning if JONES cannot send heartbeat to JATS for the user connection..

| Tag | Field Name | Comments | Valid Value | Type |
|------|------------------|----------------|---|----------------|
| | Standard Header | MsgType = U7 | | |
| 6063 | Error Code | Error Code | 3 | See Appendix C |
| 6064 | Error Level | Error Level | 1 | |
| 6065 | Ref Error Code | Ref Error Code | Error Connection to JATS on User sent Heartbeat to JATS + BrokerRef | |
| 58 | Error Message | Text | Failed to send JATS | |
| 6066 | Previous request | FIX MsgType | FIX MsgType | |
| | Standard Trailer | | | |

V. Message Trailer

Each message is terminated by a standard trailer. The trailer is used to segregate messages and contains the three digit character representation of the Checksum value.

The message trailer format is as follows:

Message Trailer

| Tag | Field Name | Type | Description |
|-----|------------|------|--|
| 10 | Checksum | Char | Three byte, simple checksum (see Appendix B for description). ALWAYS THE LAST FIELD IN RECORD; i.e. serves, with the trailing <SOH>, as the end-of-record delimiter. Always defined as three characters. |

Trailer example:
The characters are:
'10=212<SOH>'

Example of Messages

The general format for each message, no matter what the DATA type is, should be like this:

| | | |
|---------------|-------------|----------------|
| Header | DATA | Trailer |
|---------------|-------------|----------------|

Please note that each item/field/column in the message is separated by character ASCII <SOH> (001), so the representation of <SOH> in this document, is only for ease of use purpose. Upon implementation, the <SOH> is really a one byte ASCII character.

Here is some examples :

LOGON MESSAGE (see logon request table)

Logon message will consists of header, data, and trailer.

The data part: (please refer to data type, for this example is logon data type)

| | |
|---------------------------------|-------------------|
| '98=2<SOH> | → encrypt method |
| 108=45<SOH> | → heartbeat |
| 95=22<SOH> | → raw data length |
| 96=MyUserID0001MyPassword<SOH>' | → raw data |

The trailer string:

| | |
|---------------|------------------------|
| '10=212<SOH>' | → three bytes checksum |
|---------------|------------------------|

The full-length format of the above logon message is:

'[Header]<SOH>98=2<SOH>108=45<SOH>95=22<SOH>96=MyUserID0001MyPassword<SOH>10=212<SOH>'

FIX Documentations

Since the Financial Information Exchange/FIX was initiated by an organization of institutions and brokers interested in streamlining their trading processes, the specification of FIX protocol messages can be referred at their online resources at:

<http://www.fixprotocol.org/specification/fix-42.html>

Some of useful information in it:

- Introduction to FIX
- FIX Message Format
- FIX Field Definitions
- More detailed explanations on FIX Messages
- Business Terms
- Etc.

Appendix C

List Field Type

| Tag | Field Name | Type |
|-----|----------------|----------|
| 1 | Account | C[12] |
| 6 | AvgPx | N[16] |
| 10 | CheckSum | C[3] |
| 11 | ClOrdID | C[20] |
| 14 | CumQty | N[16] |
| 17 | ExecID | N[9] |
| 18 | ExecInst | C[1] |
| 19 | ExecRefID | C[15] |
| 20 | ExecTransType | N[1] |
| 21 | HandlInst | N[1] |
| 23 | IOIID | N[12] |
| 31 | LastPx | N[16] |
| 32 | LastShares | N[16] |
| 37 | OrderID | C[12] |
| 38 | OrderQty | N[16] |
| 39 | OrdStatus | N[1] |
| 40 | OrdType | C[16] |
| 41 | OrigClOrdID | C[20] |
| 44 | Price | N[16] |
| 48 | SecurityID | C[12] |
| 54 | Side | C[1] |
| 55 | Symbol | C[21] |
| 58 | Text | C[255] |
| 59 | TimelnForce | C[1] |
| 60 | TransactTime | DATETIME |
| 62 | ValidUntilTime | C[17] |
| 65 | SymbolSfx | C[3] |
| 98 | EncryptMethod | N[1] |
| 99 | StopPx | N[16] |
| 108 | HeartBtInt | N[3] |
| 109 | ClientID | C[12] |
| 117 | QuotID | C[20] |

| Tag | Field Name | Type |
|------|--------------------------|--------|
| 132 | BidPx | N[16] |
| 133 | OfferPx | N[16] |
| 134 | BidSize | N[16] |
| 135 | OfferSize | N[16] |
| 150 | ExecType | N[1] |
| 150 | ExecType | N[1] |
| 151 | LeavesQty | N[16] |
| 198 | SecondaryOrderID | N[12] |
| 295 | NoQuoteEntries | N[1] |
| 297 | QuoteAckStatus | C[1] |
| 298 | QuoteCancelType | N[1] |
| 300 | QuoteRejectReason | C[255] |
| 336 | TradingSessionID | C[12] |
| 340 | TradSesStatus | N[1] |
| 376 | ComplianceID | C[15] |
| 432 | ExpireDate | N[8] |
| 434 | CxlRejResponseTo | N[1] |
| 440 | ClearingAccount | C[10] |
| 6001 | UserID | C[12] |
| 6002 | CurrentPassword | C[10] |
| 6002 | Current Password | C[10] |
| 6003 | New Password | C[10] |
| 6004 | Return Value | C[255] |
| 6063 | Error Code | N[1] |
| 6064 | Error Level | N[1] |
| 6065 | Ref Error Code | C[255] |
| 6066 | Previous request | C[2] |
| 6067 | MassWithdrawRequestType | C[1] |
| 6068 | MassWithdrawResponse | C[1] |
| 6069 | MassWithdrawRejectReason | C[2] |
| 6090 | LogonReply | C[1] |
| 6091 | LogonDesc | C[255] |

-End of Document-